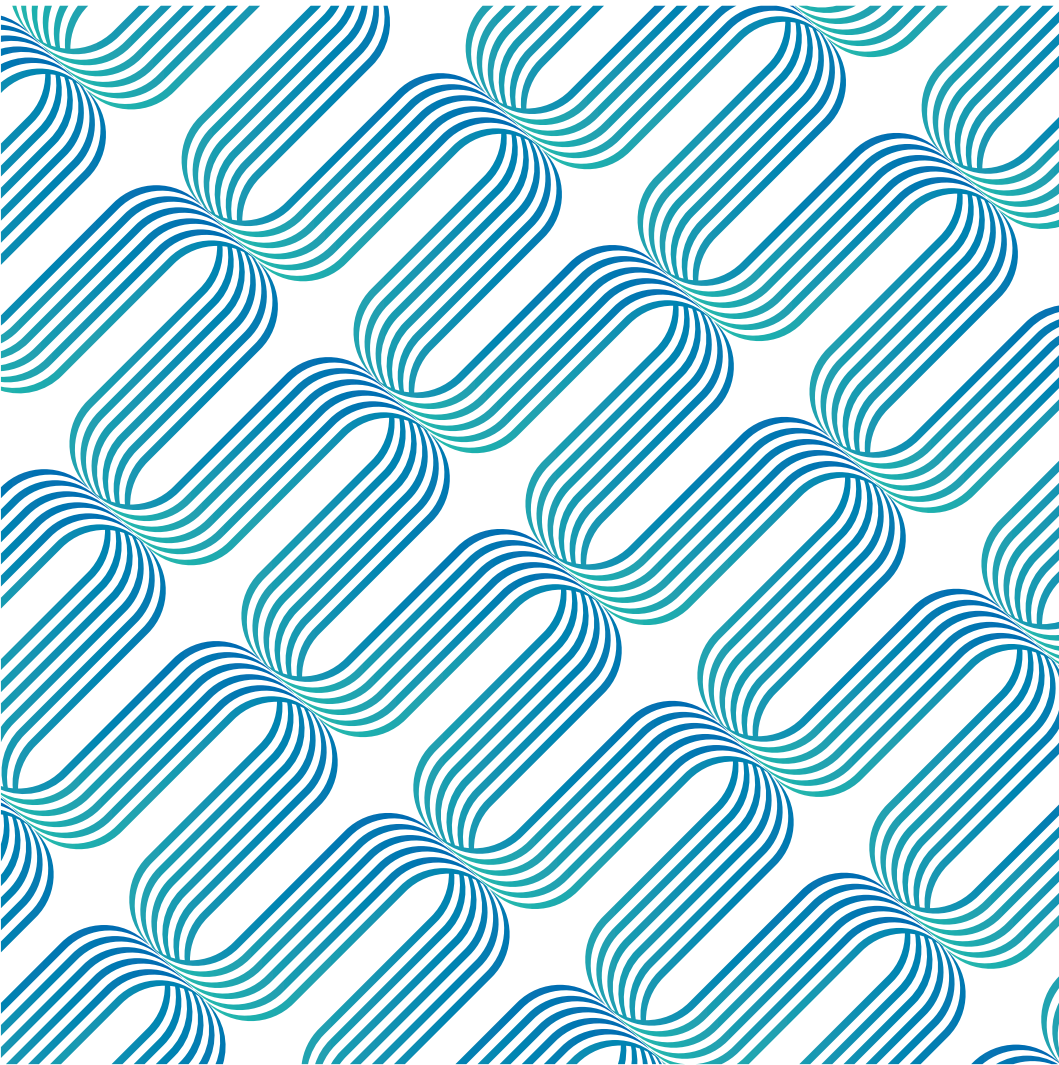


P

RODUCT

SPECIFICATION

Document No.:BBR-E-01
Version No: A



Preface

Dear customer:

Thank you for selecting Electric wheelchair

Product Manual is an important document, it provides Electric wheelchair's product information, operation methods and after-sales service information to you. Before use, please be sure to carefully read the Product Manual for correct operation and maintenance.



CONTENTS



1. Safety



2. Product Introduce



3. Technical Parameters



4. How to use



5. Maintenance
and troubleshooting



6. APP operation guide



7. Product service



8. Disclaimer

01 / Safety precautions

Please carefully read the Safety section before use and properly use the product as guided by the Manual.

The safety reminders help use the product safely and properly.

In order to differentiate various degrees of harm and damage, the possible damage brought by misuse is categorized into “warning” and “caution”. The two are both critical reminders on safety and require strict compliance.

1.1 Signs



Warning

- Use of this sign indicates hazardous situations that may cause serious injury when neglected.



Attention

- Use of this sign indicates hazardous situations that may cause mild or moderate injury and material damage when neglected.

1.2 Indication

- This product is to help disabled, elderly and frail people who have difficulty walking to travel.

1.3 Contraindications



Warning

Contraindications: The patients with mental problems, including the users who temporarily or permanently lose attention or judgment, are not allowed to use this product.

1.4 Electrical safety



Attention

This Electric wheelchair has passed the test in accordance with ISO 7176-9 Climatic Test.

- This test can ensure that the users of the Electric wheelchair or attendants have sufficient time to move to safety place in a rainy day.
- DO NOT operate the Electric wheelchair under thunderstorm;
- DO NOT place this Electric wheelchair under rainstorm;
- DO NOT place this Electric wheelchair in a wet place for a long time;
- DO NOT spray, wash or wash the Electric wheelchair with an automatic car washer.

Direct exposure to rain, smoke, or humid air may cause electrical and mechanical failure of the Electric wheelchair and may also cause rust.

1.5 Conditions of use



Attention

- Ambient temperature: -10°C ~ 50°C ; Relative humidity: 20%~90%;
- Atmospheric pressure: 80kpa~1,23kpa; With no strong electromagnetic interference.

1.6 Waste disposal



Attention

- According to local laws and regulations, your products should be treated separately from domestic waste. It should be put at the designated recycling point of local government. The classified collection and recycling of products help to save natural resources.

1.7 Attention

(1) Driving on slopes

This Electric wheelchair has passed the test requirements of climbing on a slope of not exceeding 10° with a load of 120kg. DO NOT try to climb the slopes exceeding 10°

During reversing on a slope, please be sure to slow down the Electric wheelchair. DO NOT reverse on a slope exceeding 10°, during reversing, please be extremely careful.

The ability of climbing slope and driving distance are affected by battery and following environment:

For example: The weight of the users; Topography (such as grass or gravel); Gradient of hill; Battery life and service life; Extreme temperature; Use and weight of the fittings, etc.

(2) Brake

When the Electric wheelchair brakes, please sit properly, steadily hold the handrail and lose controller rocker, the Electric wheelchair will stop in several seconds.

Note: Electromagnetic brake will not take effect immediately, it will take effect after the wheel rotates for 1/2 cycle.

(3) Emergency braking

In case of critical situation or unexpected movement, press the power switch key to make the Electric wheelchair stop (Although this emergency brake is effective, it must not be used under normal conditions).

Note: Frequent use of emergency brake may lead to the motor fault, which further causes that the Electric wheelchair cannot be operate normally.

(4) Use of mobile phone

During operating the Electric wheelchair, DO NOT use mobile phones or wireless devices.

Use of mobile phones or wireless devices will generate strong electromagnetic fields, the electronic system of the Electric wheelchair will be interfered. If the mobile phones or wireless devices have to be used, the Electric wheelchair has to be stopped and powered off in advance.

Please follow the traffic rules.



1.8 Warnings (please carefully read)

- DO NOT try to pick up objects by bending down when sitting on the Electric wheelchair, or, the Electric wheelchair or user may roll over or be damaged.
- DO NOT use the Electric wheelchair on escalators, which may increase the risk of being injured;
- DO NOT drive on vehicle lane or non sidewalks;
- DO NOT drive on the surface of water, oil, ice or other slippery objects. In case of violation, the Electric wheelchair may be out of control;
- DO NOT attempt to cross over obstacles and ditches exceeding 45mm, violation of this operation may cause personal injury;
- DO NOT sharply bend or move backwards under high speed;
- DO NOT carry passengers;
- DO NOT try to drag another Electric wheelchair;
- DO NOT operate the Electric wheelchair without checking the fasteners, connectors or detachable parts for correct connection and fastening. Please always pay attention to the surrounding environment;
- DO NOT repair the parts, accessories or adapters of the Electric wheelchair without authorization;
- DO NOT get on without braking;
- DO NOT connect other medical equipment (such as life support equipment and respirator, etc.) to the electronic system of the Electric wheelchair;
- DO NOT operate the Electric wheelchair when your judgement may be affected (such as drink, take drugs or take medicine);
- DO NOT operate the Electric wheelchair when you are suddenly out of sorts;
- DO NOT operate the Electric wheelchair when your sight is seriously weakened;
- For the injury accident caused by violation of local or international laws or regulations, we undertake no responsibility, hereby state;
- All the functions can only be operated after you correctly sit on the seat;
- DO NOT place your feet in any part out of the pedal;
- DO NOT stand on the seat of the Electric wheelchair;
- DO NOT try to go up and down the slope exceeding 10°;
- DO NOT reverse on a slope exceeding 10°;
- When driving on a slope, release the rocker of the controller, the Electric wheelchair may move back; When moving forward or backward, the Electric wheelchair will roll back about 30 cm before the brake function takes effect;
- Before use of the Electric wheelchair, please check the connection of all electric parts for safety and reliability;

- DO NOT disconnect, snip or modify the wiring harness parts which have been installed on the Electric wheelchair or connected to the Electric wheelchair under any condition.
- DO NOT use other unqualified batteries, for example, the lead acid batteries which cannot be recycled, etc.
- Before installation, please read the information related to batteries and battery charger.

In case of violation of the above requirements, there may be unexpected damages

1.9 Excerpts from EMC-related guidelines and statements in manufacturer's accompanying documents

EMI Compliance Table(Table 1)

Phenomenon	Compliance	Electromagnetic environment
RF emissions	CISPR 11 Group 1,Class B	Home healthcare environment
Harmonic distortion	IEC61000-3-2 Class A	Home healthcare environment
Voltage fluctuations and flicker	IEC61000-3-3 Compliance	Home healthcare environment

EMS Compliance Table (Table2-5)

Phenomenon	Basic EMC standard	Immunity test levels
		Home healthcare environment
Electrostatic Discharge	IEC 61000-4-2	±8kV contact ±2kV,±4kV,±8kV,±15kV air
Radiated RF EM field	IEC 61000-4-3	20V/m 26MHz-2.5GHz 80% AM at 1kHz 10V/m 80MHz-2.7GHz 80% AM at 1kHz
Proximity fields From RD Wireless communications equipment	IEC 61000-4-3	Refer to table 3
Rated power Frequency Magnetic fields	IEC 61000-4-8	30A/m 50Hz or 60Hz

Table 3 – Proximity fields from RF wireless communications equipment

Test Frequency (MHz)	Band (MHz)	Immunity test levels
		Home healthcare environment
385	380-390	Pulse modulation 18Hz, 27V/m
450	430-470	FM, ±5kHz deviation 18Hz sine, 28V/m
710	704-787	Pulse modulation 217 Hz sine, 28V/m
745		
780		
810	800-960	Pulse modulation 18Hz sine, 28V/m
870		
930		
1720	1700-1990	Pulse modulation 217Hz sine, 28V/m
1845		
1970		
5785		

Table 4 – input a.c. power port

	Standard	Home healthcare environment
Electrical fast Transients/burst	IEC 61000-4-4	±2kV 100kHz repetition frequency
Surges Line-to-line	IEC 61000-4-5	±0.5kV, ±1kV
Conducted Disturbances Induced by RF fields	IEC 61000-4-6	3V, 0.15MHz-80MHz 6V in ISM bands and amateur radio bands Between 0.15MHz and 80MHz 80%AM at 1kHz
Voltage dips	IEC 61000-4-11	0% U _T ; 0.5 cycle At 0°, 45°, 90°, 135°, 180°, 225°, 270° and 315°
		0% U _T ; 1 cycle and 70% U _T ; 25/30 cycles Single phase: at 0°
Voltage interruptions	IEC 61000-4-11	0% U _T ; 25/30 cycles U _T = rated input Voltage

Table 5 – signal input/output parts port

Table 5-Input a.c power port (1 of 2)

Phenomenon	Basic EMC standard	Immunity test levels	
		Professional healthcare facility environment	Home HEALTHCARE ENVIRONMENT
Electrical fast Transients / bursts a))o)	IEC 61000-4-4	±2KV 100kHz repetition frequency	
Surgesa)b))o) Line-to-line	IEC 61000-4-5	±0.5kV,±1KV	
Surges a)b))k)o)	IEC 61000-4-5	±0.5kV,±1KV,±2KV	
Line-to-ground			
Conducted disturbances Induced by field c)d)o)	IEC 61000-4-6	3V ^{m)} 0.15 MHz-80MHz 6V ^{m)} in ISM bands Between 0,15MHz and 80MHz ⁿ⁾ 80% AM at 1KHz ^{e)}	3V ^{m)} 0.15 MHz-80MHz 6V ^{m)} in ISM and amateur Radio bands between 0,15 MHz and 80MHz ⁿ⁾ 80% AM at 1KHz ^{e)}
Voltage dips f)p)r)	IEC 61000-4-11	0% U _T ; 0,5cycle ^{q)} , At 0°, 45°,90°, 135°,180°,225°,270°,and315° ^{q)}	
Voltage interruptions f))o)r)	IEC 61000-4-11	0% U _T ; 1 cycle And 70% U _T ; 25/30 cycles ^{h)} Single phase :at 0°	
Voltage interruptions f))o)r)	IEC 61000-4-11	0% U _T ; 250)300 cycle ^{h)}	

Table 6-Cable information

Cable	Max. cable length, Shielded/unshielded		Number	Cable classification
AC Power Line	1.8M	Unshielded	1 Set	AC Power
DC Power Line (USB Cable)	0.95M	Unshielded	1 Set	DC Power

- a) The test may be performed at any one power input voltage within the ME EQUIPMENT or ME system RATED voltage range .If the ME EQUIPMENT or ME system is tested at one power input voltage, it is not necessary to re-test at additional voltage.
- b) All ME EQUIPMENT and ME SYSTEM cables are attached during the test.
- c) Calibration for current injection clamps shall be performed in a 150 Ω system
- d) If the frequency stepping skips over an ISM or amateur band, as applicable, an additional test frequency shall be used in the ISM and amateur radio band within the specified frequency range.
- e) Testing may be performed at other modulation frequencies identified by the RISK MANAGEMENT PROCESS.
- f) ME EQUIPMENT and ME SYSTEMS with a d.c. power input intended for use with a.c.-to-d.c converters shall be tested using a converter that meets the specifications the MANUFACTURER of the ME EQUIPMENT or ME SYSTEM. The IMMUNITY TEST LEVELS are applied to the a.c power input of the converter.

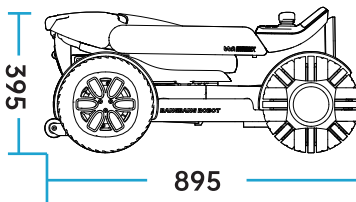
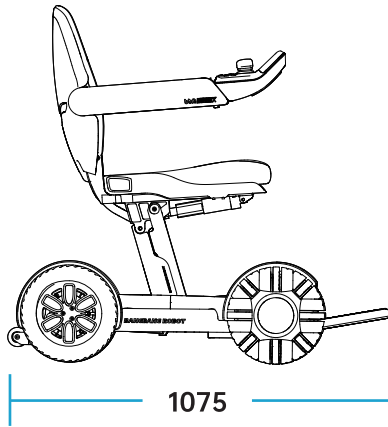
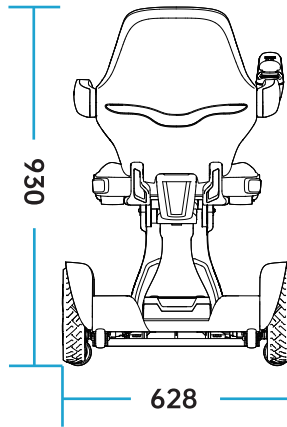
- g) Applicable only to ME EQUIPMENT and ME SYSTEMS connected to single-phase a.c mains.
- h) E.g 10/12 means 10 periods at 50 Hz or 12 periods at 60 Hz.
- i) ME EQUIPMENT and ME SYSTEMS with RATED input current greater than 10 A /phase shall be interrupted once for 250/300 cycles any angle and all phases at the same time (if applicable). ME equipment and ME SYSTEMS with battery backup shall resume line power operation after the test. For ME equipment and ME SYSTEMS with RATED input current not exceeding 18A , all phases shall be interrupted simultaneously.
- j) ME EQUIPMENT and ME SYSTEMS that do not have a surge protection device in the primary power circuit may be tested only at $\pm 2\text{kV}$ line(s) to earth and $\pm 1\text{kV}$ line(s) to line(s).
- k) Not applicable to Class II ME EQUIPMENT and ME SYSTEMS.
 - l) Direct coupling shall be used.
- m) R.m.s before modulation is applied.
- n) The ISM (industrial scientific and medical) bands between 0,15 MHz to 80 MHz are 6.765 MHz to 6.795 MHz; 13.553 MHz to 13.567 MHz ; 26.957 MHz to 27.282 MHz ; and 40.66MHz to amateur radio bands between 0,15 MHz and 80 MHz are 1,8 MHz to 2.0 MHz, 3.5 MHz to 4.0 MHz ,5.3 MHz to 5.4MHz, 7 MHz to 7.3 MHz 10,1MHz
- o) Applicable to ME EQUIPMENT and ME SYSTEMS with RATED input current less than or equal to 16 A/phase and ME EQUIPMENT and ME systems with RATED input current greater than 16 A/phase.
- p) Applicable to ME EQUIPMENT and ME SYSTEMS with RATED input current less than or equal to A/phase.
- q) At some phase angles applying this test to ME EQUIPMENT with transformer mains power input might cause an overcurrent protection device to open. This can occur due to magnetic flux saturation of the transformer core after the voltage dip. If this occurs , the ME EQUIPMENT or ME SYSTEM shall provide BASIC SAFETY during and after the test.
- r) For ME EQUIPMENT and ME SYSTEMS that have multiple voltage settings or auto ranging voltage capability the test shall be performed at the minimum and maximum RATED input voltage. ME EQUIPMENT and ME SYSTEMS with a RSTED input voltage of less that 25% of the highest RATED input voltage shall be tocted at one RATED input voltage within the range. See table 1 Note c) for examples calculations.
- s) Basic performance: The sample can maintain normal working condition when interference is applied during normal driving and folding.
- t) WARNING: Use of this equipment adjacent to or stacked with other equipment should be avoided because it could result in improper operation. If such use is necessary, this equipment and the other equipment should be observed to verify that they are operating normally.
- u) WARNING: Use of accessories, transducers and cables other than those specified or provided by the manufacturer of this equipment could result in increased electromagnetic emissions or decreased electromagnetic immunity of this equipment and result in improper operation.
- v) WARNING: Portable RF communications equipment (including peripherals such as antenna cables and external antennas) should be used no closer than 30 cm (12 inches) to any part of the [ME EQUIPMENT or ME SYSTEM], including cables specified by the manufacturer. Otherwise, degradation of the performance of this equipment could result.
- w) Essential performance: Electric wheelchair work normally.

02 / Product Introduction

2.1 Product features and functions

- The DC brush motor which is energy saving and efficient is the core part to drive the Electric wheelchair. The motor is featured for its large torque, high efficiency and power saving.
- DC brush motor has the advantages of high performance, long service life and low power consumption. The noise of the motor can be controlled within 65dB.
- Using lithium battery as the green energy of the Electric wheelchair has the advantages of high density energy, long life, energy saving and environmental protection.
- The intelligent control of motor is realized by using special controller with brush. The operation of independent rocker can realize the actions of forward, differential turning and low speed reversing, which makes the control of the walking vehicle easier.
- The frame structure uses patented technologies. Foldable four-bar linkage mechanism achieves quick and efficient folding and expanding actions. The Electric wheelchair is equipped with the function of electric folding or manual folding, and the Electric wheelchair has the advantages of being safe and reliable and simple to operate.
- The foldable frame structure has the advantages of portability, being compact and easy to carry (trunk and air transportation), and the Electric wheelchair does not occupy too much space.
- The function of posture detection by gyro achieves voice warning of bumpiness and slant. When the speed of the Electric wheelchair is lowered to gear 1, APP will alarm by popping up
- In case of no operation (no key, rocker or APP operation) within 30 minutes under power saving mode, the Electric wheelchair will power off automatically
- For cruise control mode, keep a long press of "speed +" key to enter cruise control mode, and push the rocker forward to start cruise control
- Wireless controller. The wireless controller may use rocker to achieve the front, rear, left and right movement control of the Electric wheelchair, and use key to control the electric folding and expanding of the Electric wheelchair.
- Novice mode

2.2 Structure of the product



Unit: MM

2.3 Main technical indicators

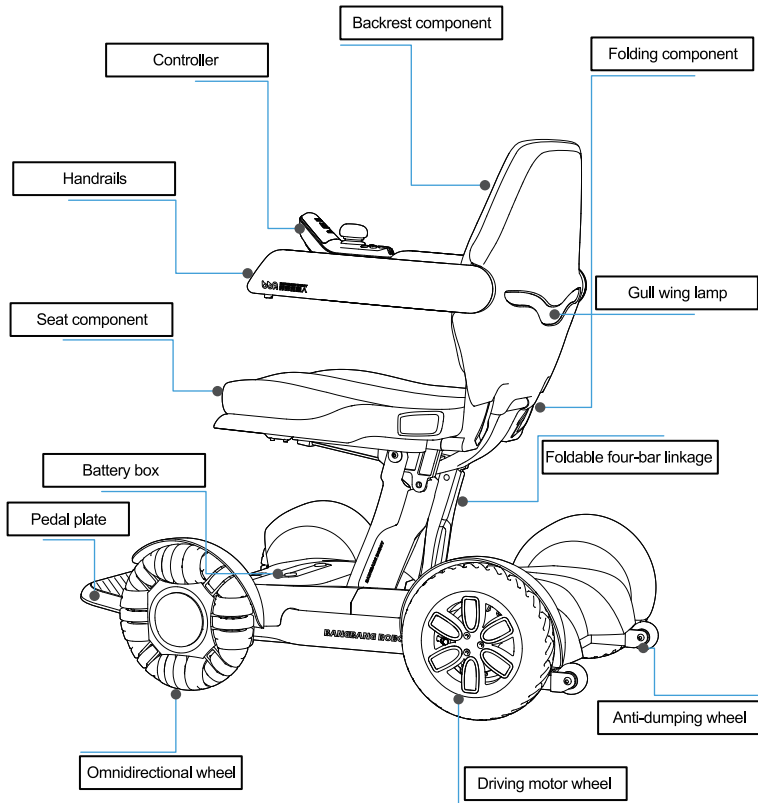
Product model	BBR-LY-01-01
Type Classes	Class A
Folding mode	Electric
Speed range	≤7KM/h
Slope braking performance	12°
Barrier crossing height	45mm
Ditch width	100mm
Hill climbing performance	10°
Minimum radius of gyration	760mm
Total weight	42.1±2kg
Battery quantity	1
Battery weight	3.4±0.15kg
Front and rear wheel specifications	The front wheels are 10" omnidirectional wheel, and the rear wheels are 10" PU tire (2.4MPa~2.7MPa)
Motor parameters	DC motor rated voltage 24V, Rated power 200W*2
Lithium battery parameter	DC24V 20AH
Charger parameters	The entered voltage is 29.4V and the output current is 4A
Static stability	20° for longitudinal direction, and 15° for side direction
Dynamic stability	6° for upslope, and 6° for downslope
Brake on level road	100cm
Overall dimensions	1,075mm length, 628mm width, 930mm height
Stowage dimensions	895mm length, 628mm width, 395mm height
Seat wide	420+5mm
The height of handle	280±5mm
The largest user weight	120KG
The largest current of the controller output	30A

Theoretical driving distance	25 KM
Plane angle of the seat	-7±0.5°
Effective seat depth	420±5mm
Anti-tip device tipping angles	18°
Surface height of the front seat	510±5mm
Backrest angle	21°±1°
Backrest height	450±5mm
Distance from the plastic holder to the seat	423 + 5mm
Angle between leg and seat surface	0-10°
Horizontal shift of the shaft	81±5mm
Vertical shift of the shaft	328±5mm
Pivot width	1180mm
Reversing width	1180mm
Ground clearance	64mm
Required width of angled corridor	1000mm
Required doorway entry depth	1070mm
Required corridor width for side opening	1150mm

2.4 Storage conditions

- The packaged Electric wheelchair should be stored at a temperature of -40 ° C~60 ° C
- The relative humidity is no more than 95%
- Atmospheric pressure shall be 56~146kPa
- And the Electric wheelchair shall be stored in the room without the harmful gas which may cause corrosion and with good ventilation, and it is not allowed to press and pile up
- Under packed status, the maximum piling height is three layers.
- DO not make the product stored in the places which get close to high temperature source or direct sunlight for a long term.
- If you need to store for a long time, please turn off the power switch after full charge.
- If the product is stored exceeding one month, please fully charge, and then continue storing and using.

03 / Component introduction



Main structural composition of products: Motor, storage battery, control system, wheel, seat, handrail and pedal

Note: Refer to Product Package List for part list

04 / Use of Electric wheelchair

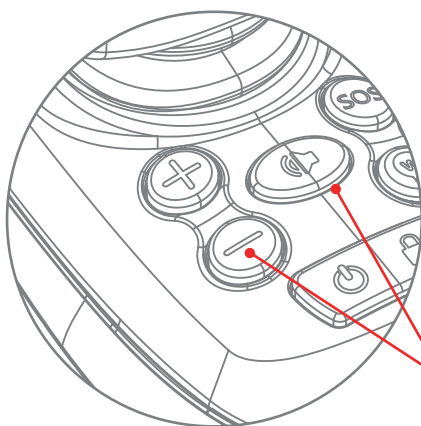
4.1 Notice

- When operating the Electric wheelchair for the first time, try to choose a flat and hard ground to ensure that there are no obstacles and pedestrians around you;
- The largest load of the Electric wheelchair is 120Kg, DO not drive under overload; Limited for 1 person;
- Ensure that the Electric wheelchair is under completed expanded status;
- Ensure that you have fastened the safety belt of the Electric wheelchair;
- Correctly sit on the Electric wheelchair, slightly push the rocker of the controller forwards, the Electric wheelchair will move forwards and backwards, and turn left or turn right; After release, the Electric wheelchair will stop. Please practice these basic functions, until you are proficient in operation;
- During steering, please clear the barriers nearby;
- DO NOT steer on pedestrians or during driving;
- When the Electric wheelchair operates under relatively bad environment (such as entering the door or steering), please slowly operate the Electric wheelchair. It is suggested that the speed of Electric wheelchair should be transferred to the lowest level in harsh environment;
- Check whether the conditions of the Electric wheelchair are good, such as whether the performance is normal;
- The Electric wheelchair will shut down automatically after standing for 30 minutes.

4.2 Expand and fold

In the process of folding or expanding, swing the rocker will stop folding or expanding. After the intermediate stop, the folding or expanding can be continued according to the operation of 1 and 2.

4. 2. 1 Folding of the Electric wheelchair

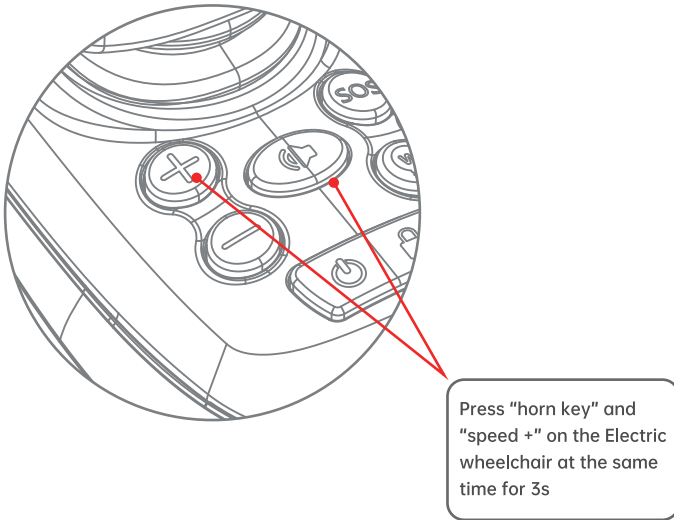


Press "horn key" and "speed -" on the Electric wheelchair at the same time for 3s



Folding Electric wheelchair, if there is no other command, it will stop automatically after folding

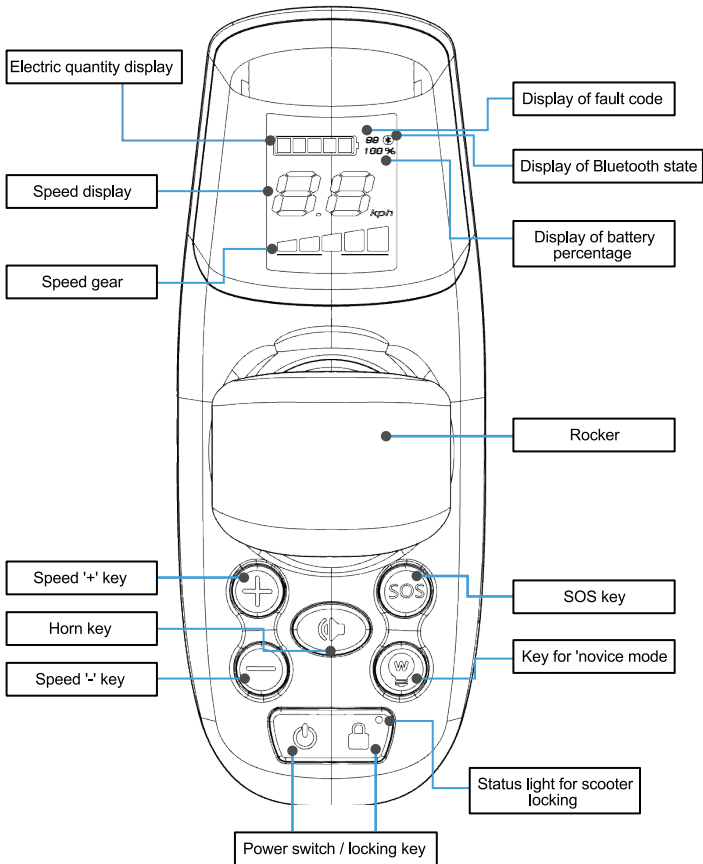
4. 2. 2 Expanding of the Electric wheelchair



Expanding Electric wheelchair, if there is no other command, it will stop automatically after unfolding

4.3 Controller

4.3.1 Introduction to controller



4.3.2 Instruction of controller

Rocker

By pushing the controller rocker, the direction and speed of the Electric wheelchair can be controlled;

Power switch / locking key

Long press for 2 seconds to turn on the power, long press for 2 seconds to turn off the power;

Press the power key, the locking indicator of the Electric wheelchair is off, the Electric wheelchair is unlocked

Press the power key, the locking indicator of the Electric wheelchair is on, the Electric wheelchair is locked

Speed '+' key

When it is pressed, the speed is up-regulated;

Keep a long press of "+" key to enter cruise control mode, and push the rocker forwards to start the machine

Speed '-' key

When it is pressed, the speed is down-regulated;

Horn key

Keep a short press of the hone key, the horn will ring for once; The horn complies with national noise standard;

Status light for Electric wheelchair locking

After powering on, the locking function will be entered in default; During use, locking mode can be entered under any control mode;

Under locking function, the rocker cannot control the chassis motor to move. After unlocking, the chassis motor can be controller to move.

Under locking mode, after the APP is connected, there will be a pop-up box to remind locking mode.

SOS key

Press the button for 3 seconds, the Walkman will sound the alarm.

Key for 'novice mode'

The driving parameters of the Electric wheelchair are automatically adjusted to gear and data suitable for novices to practice.

4. 3. 3 Instruction for LCD screen menu

Electric quantity display

The device controls the electric quantity display light, displays the electric quantity in real time, and displays it in 5 grids

Speed display

LCD screen displays the driving speed of the Electric wheelchair in km/h.
The precision of the displayed speed is $\pm 5\%$.

Speed gear

Press '+' key for once, the speed will be increased to the next gear, gear 5 is the highest.
Press '-' key for once, the speed will be decreased to the next gear, gear 1 is the lowest.
The above function can be achieved in APP.

Display of fault code

For the diagnostic code displayed by the built-in information diagnostor of the product, refer to 5.3 troubleshooting for the content.

Bluetooth status display

When Bluetooth is not connected, the Bluetooth indicator on the LCD screen is off ;
When Bluetooth is connected, the Bluetooth indicator on the LCD screen is on.

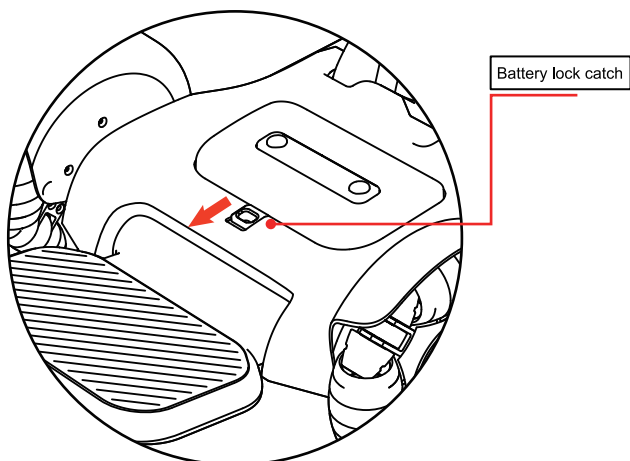
Percentage of Electric quantity displayed

The Electric quantity is displayed in percentage, and the above function can be achieved in APP.

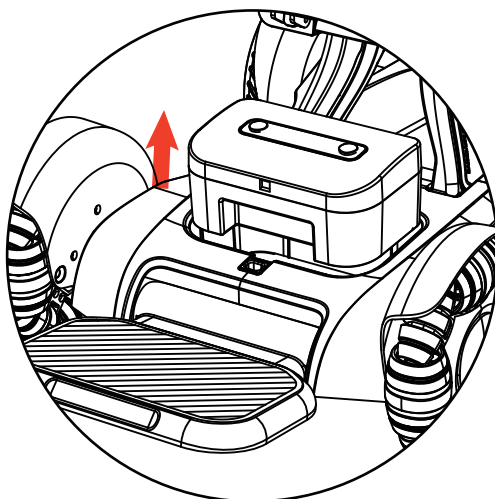
4.4 Battery

4.4.1 Battery removal

- 1 • Open the battery lock catch on the Electric wheelchair chassis

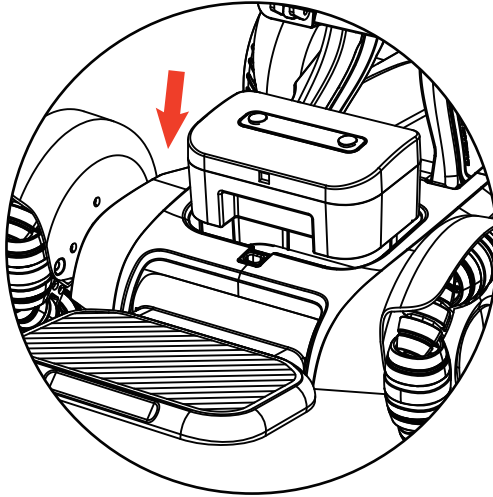


- 2 • Take out the battery upwards

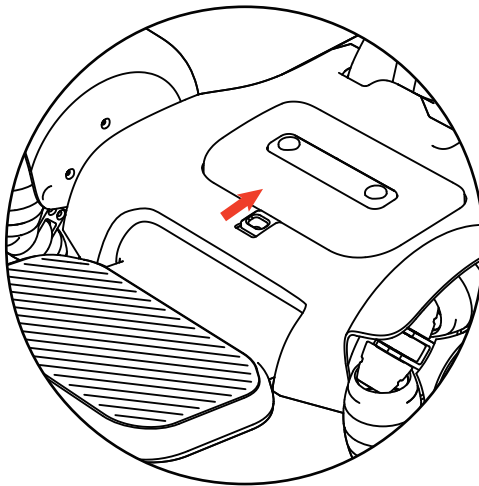


4. 4. 2 Replacement of battery

- 1 • Place the battery into the battery slot

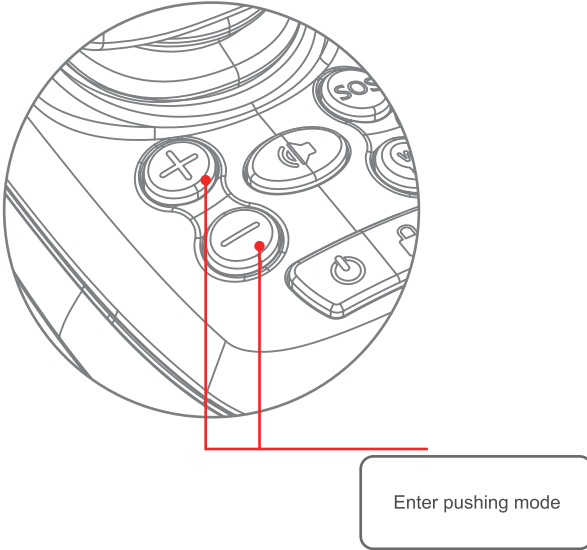


- 2 • Close the battery lock catch



4.5 Switch to pushing mode

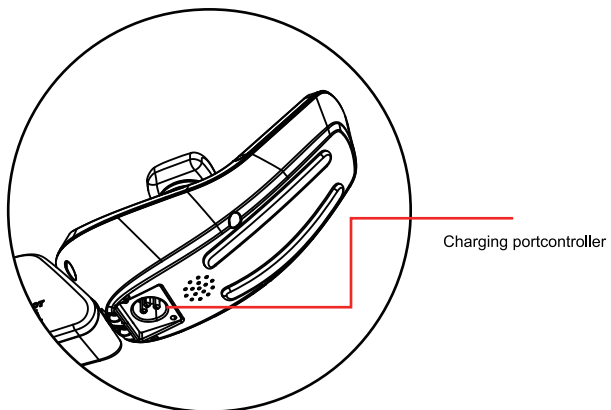
- 1 • Press '+' key and '-' key at the same time to enter pushing mode, and wing the rocker can quit pushing mode



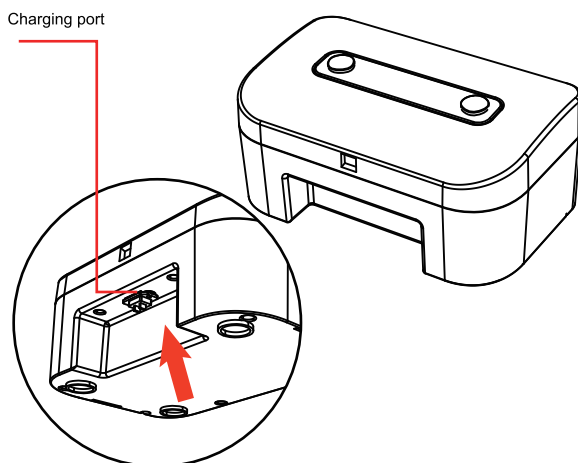
Enter pushing mode

Charging of Electric wheelchair

Charging method I: Connect the charger, and plug the charger to the port below the controller



Charging method II: Take out the battery box, and plug the charger to the charging port of the battery box



05 / Maintenance and troubleshooting

5.1 Daily spot inspection and maintenance scheme

- Regularly (weekly or monthly, depending on the use frequency) check the connecting parts, such as screws and nuts, etc. of the frame for loosening, falling and corrosion, etc.;
- Regularly check the movable joint parts for jam and falling, etc.;
- Regularly check the tires for aging and serious wear, etc.;
- During use of the Electric wheelchair, in case of rain or wet weather, the Electric wheelchair shall be wiped dry as soon as possible to prevent rust due to dampness;
- Solarization of the Electric wheelchair under high temperature weather shall be avoid.

5.2 Troubleshooting

When you call after-sales service at 4000-400-882 for repairing, please provide the fault code.

For the function of built-in information diagnostor of the product, the displayed diagnostic code can react the abnormalities.

Fault code	Abnormal state	
E1	Key abnormality	Fault alarm
E2	Rocker abnormality	Fault alarm
E3	GPRS fault	Fault alarm
E4	Battery fault	Fault alarm
E5	Relay fault	Fault alarm
E6	Equipment loss	Fault alarm
E7	Bluetooth fault	Fault alarm
E8	Motor fault	Fault alarm
E9	Driver fault	Fault alarm
EA	FLASH fault	Fault alarm

5.3 Instruction of safety warning

Warning voice	Corresponding scenario
Enter novice mode	Press the key for novice mode
Quit novice mode	Press the key for novice mode again
Alarm	Keep a long press of SOS key
Lock	The default boot mode is lock mode, and the non lock to lock state transition
Unlock	Switch locking status to non-locking status
Wireless remote mode	Operate by the control key on the remote
Quit remote control mode	Operate by the control key on the remote
fold	Keep a long press of horn key and SPD- key at the same time
Expand	Keep a long press of horn key and SPD+ key at the same time
Upgrade mode	When the APP detects new version, click to upgrade
Upgrade finished	It will be triggered after single module is upgraded
Upgrading	The equipment is upgrading
Attention, reserve	Reserving, warning tone
Powering on tone	Power on, and the powering on tone will ring after 3 seconds
Charging	Charging
Charging completed	It will be triggered after charging is completed
Band-type brake open	The band-type brake of the equipment opens
Power off tone	Power off, and the powering off tone will ring after 3 seconds
Equipment bumpiness	It will be triggered for equipment bumpiness
Equipment slant	It will be triggered when the equipment is under slant, the angle of left and right, front and rear exceeds 5°
Sharp bend	It will be triggered when the equipment is under sharp bend
Upgrade failed	There is something wrong during upgrading

Warning voice	Corresponding scenario
Version V1.0	Voice version
Lower power, please charge	The battery life is lower than 20%, and it will be triggered in each minute
Stop Electric wheelchair folding	Stop Electric wheelchair folding
Stop Electric wheelchair expanding	Stop Electric wheelchair expanding
Pushing mode	Press the "+" and "-" keys simultaneously
Quit pushing mode	Push the rocker at will to quit mode under pushing mode

5.4 Production date and service life

- The service life of this product is within 5 years from the date of delivery. Please use it within the period of validity. Do not use it beyond the service life to avoid accidents.
- Refer to product label for date of production

5.5 Clean product

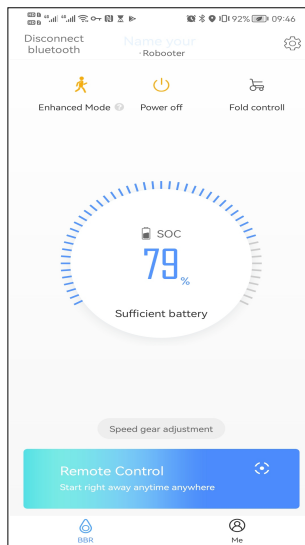
- Cleaning of Electric wheelchair: Please use clean and soft cloth to swipe the surface of the Electric wheelchair

06 / APP operation guide of scooter

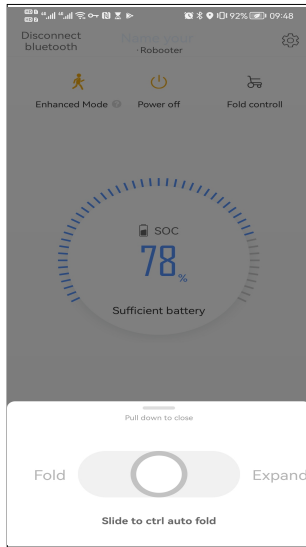
Scan the QR code on the right to download APP



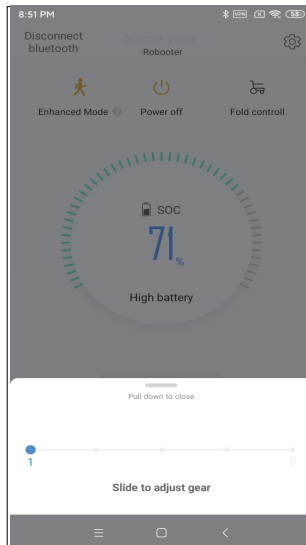
6.1 Status page of the Electric wheelchair



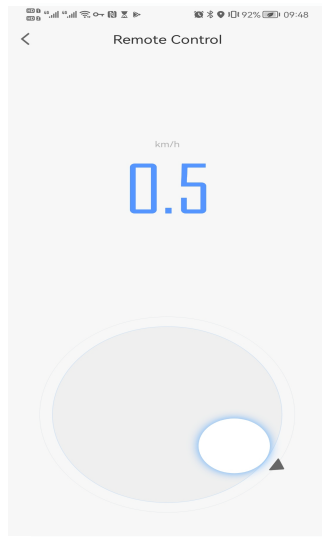
6.2 Remote folding control of the Electric wheelchair



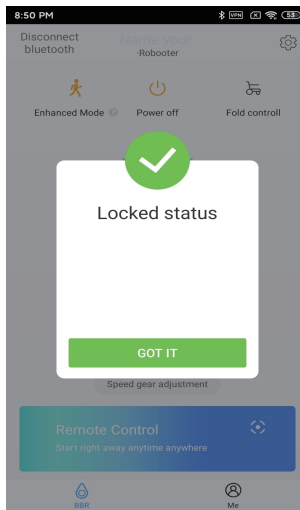
6.3 Remote speed gear control of the Electric wheelchair



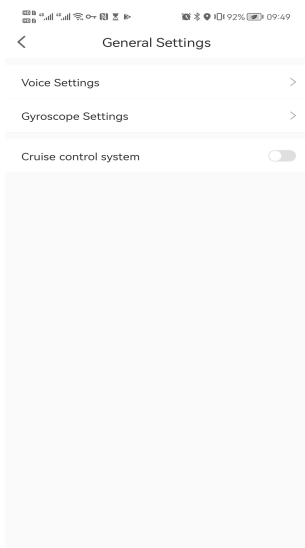
6.4 Remote control mode of the Electric wheelchair



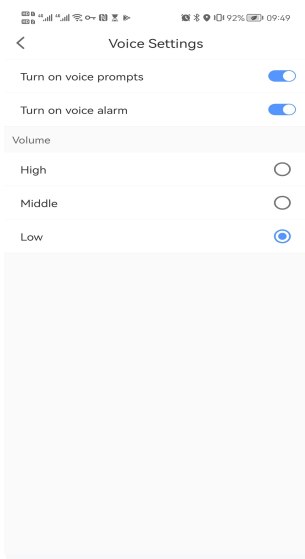
6.5 Remote locking mode of the Electric wheelchair



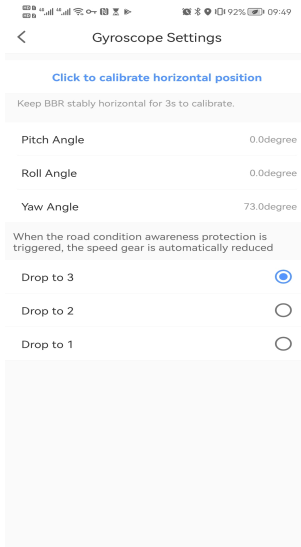
6.6 Driving parameter setting of the Electric wheelchair



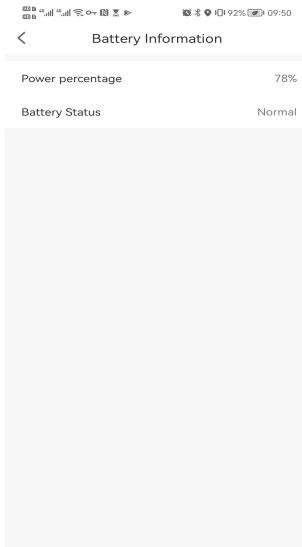
6.7 Voice setting of the Electric wheelchair



6.8 Gyro setting



6.9 Battery information



6.10 Electric wheelchair App version upgrade



07 / Instruction to Electric wheelchair product service

7.1 Quality warranty dictionary and period for wearables

List of wearables	"Three guarantees" term	Range of "three guarantees"
Roller of omnidirectional wheel	1,200km or 6 months (the earlier one shall prevail)	The roller has degumming or slip
Driving wheel	1,200km or 6 months (the earlier one shall prevail)	The surface of the tire cracks
Cushion	3 months	The issues of fading or sick seam, etc., due to non-human factor
Backrest	3 months	The issues of fading or sick seam, etc., due to non-human factor
Safety belt	3 months	The issues of fading or sick seam, etc., due to non-human factor
Key	3 months	3 months
Enclosure and pedal cushion	Not in the range of warranty	

7.2 Service obtaining

In case of warranty services are required, users can directly contact the authorized service agencies or log in the official web of the Company of [WWW. Bangbangrobotic.com](http://WWW.Bangbangrobotic.com) to leave message in the page or service support or call official after service at 4000-400-882 to contact us, We will arrange after-sales technicians to serve.

When users apply for warranty, please provide effective proof of purchase and "three guarantees" certificate. During product purchase, users shall ask the distributor for invoice with complete information and well keep that. If the contents of the invoice do not comply with the products, or they are modified or cannot be clearly identified, the invoice will be deemed as invalid. If the product has been repaired or replaced, users shall well keep corresponding maintenance or replacement record.

In the case that the user cannot provide the above documents, if we can confirm that the product or part is still within the warranty period, we can also provide warranty for the user, but the above contents are not our obligation. When users apply for warranty service, they need to follow some of our necessary procedures, including providing necessary relevant information and following specific identification and problem solving steps.

Excepting for specified herein, warranty services are provided the authorized service agency of relevant products. In case of multiple authorized service agencies, users can select a near one.

Excepting for the Company instructs otherwise, product replacement or product return is generally conducted by the distributor of the product. In case of replacement or return, you shall submit the product to the distributor, the distributor will replace or return for you in accordance with the process.

In this document, distributor means the merchants provide product to the users by sales or other methods. Shanghai Bangbang Robot Co., Ltd., authorized service agencies and distributors providing warranty in accordance with the regulations of this document are collectively called as "service provider".

08 / Disclaimer

Content of the Product Manual is the intellectual property of Shanghai BangBang Robotics Co., Ltd. (hereinafter referred to as the "Company") and copyright is reserved by the Company. All parts of the Products, including accessories and software, are owned by the Company. Without written consent of the Company, no one shall copy, extract or translate to other languages the Manual or any content included in any form. The Company carefully compiles the Product Manual with a sense of responsibility for users, but does not guarantee completeness or accuracy of its content. The Product Manual, as a pure technical document, includes no implied content or content with oblique reference to any third party and assumes no responsibility for understanding ambiguity by the users for typo reasons. In the case of direct or indirect loss of information or career termination caused by the Product Manual or all the information on the products mentioned inside, the Company bears no responsibility in this regard.

In use of all the products of Shanghai BangBang Robotics Co., Ltd., the users shall strictly follow the Product Manual and instructions for use on the Company's official website (www.bangbangrobotics.com) to operate the Robot and not violate any prohibition marked in the Product Manual in the process of using the Robot. In the case of physical injury or property damage to the users or third parties caused by their operation without strictly abiding by the instructions for use or in violation of the prohibitions marked in the Product Manual, the above-mentioned actors shall bear corresponding legal responsibilities.

As the Company keeps improving and updating the Products, it's necessary to regularly log onto its official website to inquire latest instructions for use and use conditions or contact the distributor for the latest user manual. The Company reserves the right to revision to the Product Manual without further notice.

Right to ultimate interpretation reserved by the Company.



Shanghai BangBang Robotics Co., Ltd.

ADD: Room 501, Building 3, No.188 Zhongchen Road, Songjiang

District, Shanghai

Tel.: 0086213777720

Email: info@bangbangrobotics.com

Website: www.bangbangrobotic.com



Kingsmead Service B.V

ADD: Zonnehof 36, 2632 BE, Nootdorp, Netherland

TEL: 0031(0)64657 1005

