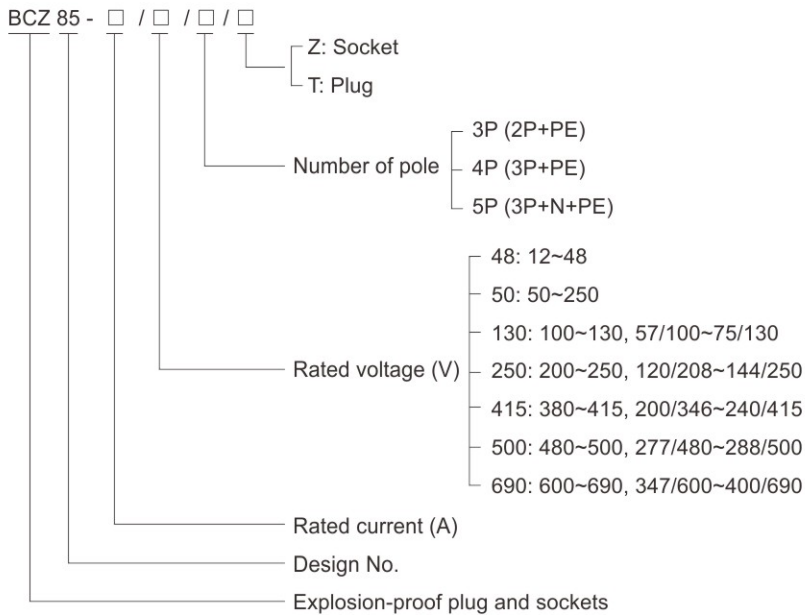


Plug and Sockets BCZ85 Series Explosion-proof Plug and Sockets



- ◆ Explosion protection to
 - CENELEC
 - IEC
 - NEC
- ◆ Can be used in
 - Zone 1 and Zone 2
 - Zone 21 and Zone 22
 - Class I, Zone 1 and Zone 2
 - Class I, Division 1, Groups A, B, C, D
- ◆ Four enclosure types; Four current ratings (16A, 32A, 63A, 125A); 3P, 4P or 5P.
- ◆ Only the switch in the socket cut off can plug be pulled out, power after inserting the plug.
- ◆ Copper-free Aluminium Alloy enclosure, powder coated surface.




■ Catalogue number logic



Zones 1&2; 21&22

Plug and Sockets BCZ85 Series Explosion-proof Plug and Sockets

Selection table

Version	Current (A)	Voltage (V)	Number of pole	Schematic diagram	h	Colour	Ordering code	Weight (kg)
 BCZ85-16/□/□	16(10)	12~48	2P			Violet	30146A	2.60
		50~250				Violet	30146B	2.60
		12~48	2P+PE		12	Violet	30146C	2.60
		50~250			12	Violet	30146D	2.60
		100~130			4	Yellow	30147	2.60
		200~250			6	Blue	30148	2.60
		100~130			4	Yellow	30149	2.60
		200~250			9	Blue	30150	2.60
		380~415	3P+PE		6	Red	30151	2.60
		480~500			7	Black	30152	2.60
		600~690			5	Black	30153	2.60
		57/100~75/130			4	Yellow	30154	3.40
		120/208~144/250			9	Blue	30155	3.40
		200/346~240/415		3P+N+PE		6	Red	30156
		277/480~288/500			7	Black	30157	3.40
347/600~400/690		5	Black		30158	3.40		
 BCZ85-32/□/□	32(20)	200~250	2P+PE		6	Blue	30159	3.40
		200~250	3P+PE		9	Blue	30160	3.40
		380~415			6	Red	30161	3.40
		480~500			7	Black	30162	3.40
		600~690			5	Black	30163	3.40
		120/208~144/250	3P+N+PE		9	Blue	30164	3.40
		200/346~240/415			6	Red	30165	3.40
		277/480~288/500			7	Black	30166	3.40
		347/600~400/690			5	Black	30167	3.40
 BCZ85-63/□/□	63 (50), (60)	200~250	3P+PE		9	Blue	30168	4.50
		380~415			6	Red	30169	4.50
		480~500			7	Black	30170	4.50
		600~690			5	Black	30171	4.50
		200/346~240/415	3P+N+PE		6	Red	30172	4.50
		277/480~288/500			7	Black	30173	4.50
 BCZ85-125/□/□	125(100)	200~250	3P+PE		9	Blue	30174	20.0
		380~415			6	Red	30175	20.0
		480~500			7	Black	30176	20.0
		600~690			5	Black	30177	20.0
		200/346~240/415	3P+N+PE		6	Red	30178	20.0
		277/480~288/500			7	Black	30179	20.0



Plug and Sockets BCZ85 Series Explosion-proof Plug and Sockets

Technical data

Explosion-proof plug and sockets BCZ85-16/□/□

Explosion protection

Global (IECEX)
Gas and dust

Europe (ATEX)
Gas and dust

Certificates

Conformity to standards

Enclosure material

Enclosure colour

Exposed fastener

Rated voltage

Rated current

Number of pole

Degree of protection

Internal&external earthing

Ambient temperature

Cable entry of socket

Cable entry of plug

Cable gland (optional)

Cross section of cable

IECEX CNEX 19.0015X

Ex db IIC T6 Gb

Ex tb IIIC T80°C Db IP66

CNEX 19 ATEX 0023X

Ex II 2 G Ex db IIC T6 Gb

Ex II 2 D Ex tb IIIC T80°C Db IP66

IECEX; ATEX; CU-TR

EN 60079-0, EN 60079-1, EN 60079-31

IEC 60079-0, IEC 60079-1, IEC 60079-31

Copper-free Aluminium Alloy, powder coated surface

Window grey (RAL7040)

Stainless steel

Max. 690V AC, Max. 250V DC

10A, 16A

3P (2P+PE), 4P (3P+PE), 5P (3P+N+PE)

IP66

M5/M5

-60°C~+60°C

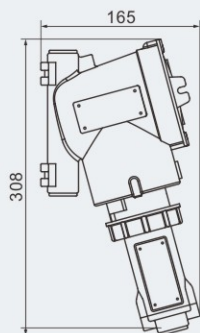
2 x M25 x 1.5(3P/4P), 2 x M32 x 1.5(5P)

1 x M25 x 1.5(3P/4P), 1 x M32 x 1.5(5P)

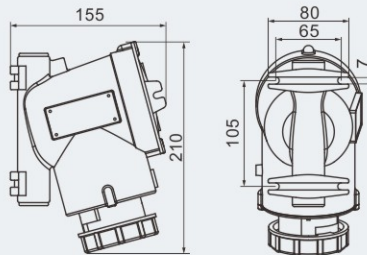
DQM-II (Ex d) or DQM-III (Ex d) is recommended. Please see P7/20~29.

2.5~4 mm²

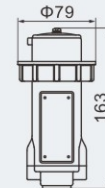
Dimension drawings (all dimensions in mm) - subject to alteration



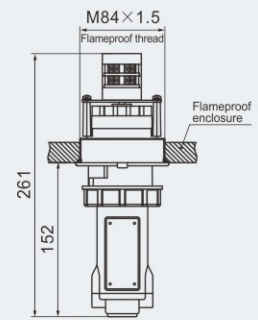
Plug and Sockets



Socket



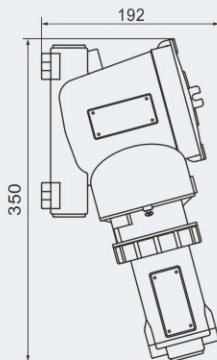
Plug



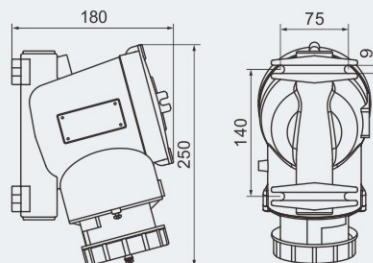
Install on the
flameproof enclosure

BCZ85-16/□/3P

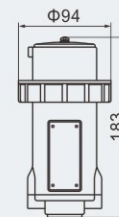
BCZ85-16/□/4P



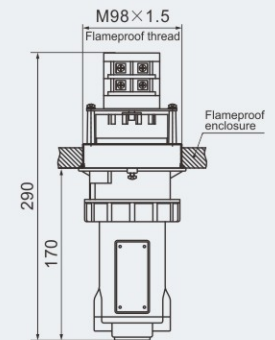
Plug and Sockets



Socket



Plug



Install on the
flameproof enclosure

BCZ85-16/□/5P



Plug and Sockets

BCZ85 Series Explosion-proof Plug and Sockets

Technical data

Explosion-proof plug and sockets BCZ85-32/□/□

Explosion protection

Global (IECEX)	IECEX CNEX 19.0015X
Gas and dust	Ex db IIC T6 Gb Ex tb IIIC T80°C Db IP66
Europe (ATEX)	CNEX 19 ATEX 0023X
Gas and dust	⊕ II 2 G Ex db IIC T6 Gb ⊕ II 2 D Ex tb IIIC T80°C Db IP66

Certificates

IECEX; ATEX; CU-TR

Conformity to standards

EN 60079-0, EN 60079-1, EN 60079-31
IEC 60079-0, IEC 60079-1, IEC 60079-31

Enclosure material

Copper-free Aluminium Alloy, powder coated surface

Enclosure colour

Window grey (RAL7040)

Exposed fastener

Stainless steel

Rated voltage

Max. 690V AC

Rated current

20A, 32A

Number of pole

3P (2P+PE), 4P (3P+PE), 5P (3P+N+PE)

Degree of protection

IP66

Internal&external earthing

M5/M5

Ambient temperature

-60°C~+60°C

Cable entry of socket

2 x M32 x 1.5

Cable entry of plug

1 x M32 x 1.5

Cable gland (optional)

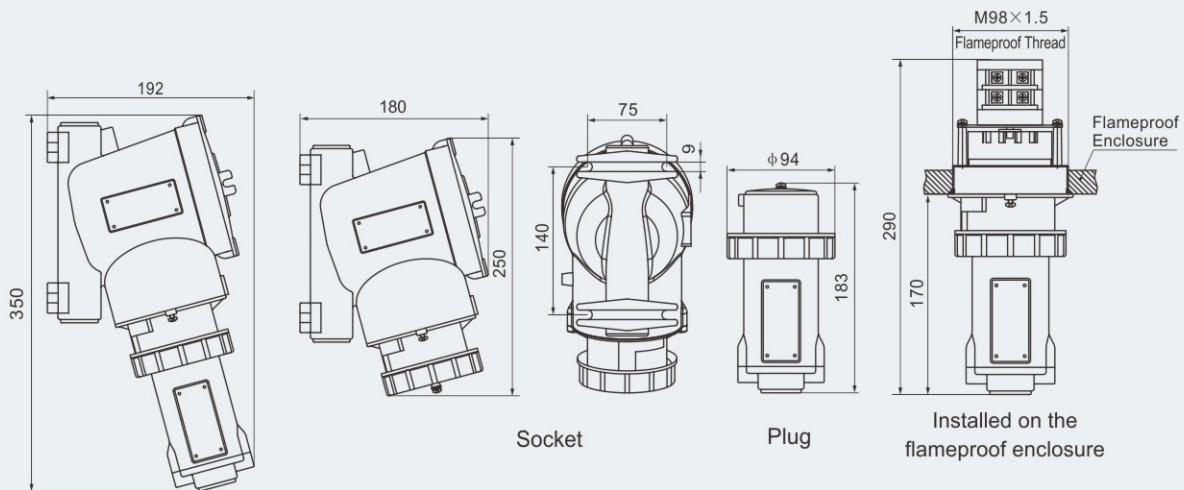
DQM-II (Ex d) or DQM-III (Ex d) is recommended. Please see P7/20~29.

Cross section of cable

4~6 mm²



Dimension drawings (all dimensions in mm) - subject to alteration



Plug and Sockets

Socket

Plug

Installed on the
flameproof enclosure

BCZ85-32/□/□

Plug and Sockets

BCZ85 Series Explosion-proof Plug and Sockets

Technical data

Explosion-proof plug and sockets BCZ85-63/□/□

Explosion protection

Global (IECEX)

IECEX CNEX 19.0021X

Gas and dust

Ex db IIC T6 Gb

Ex tb IIIC T80°C Db IP66

Europe (ATEX)

CNEX 19 ATEX 0030X

Gas and dust

⊕ II 2 G Ex db IIC T6 Gb

⊕ II 2 D Ex tb IIIC T80°C Db IP66

Certificates

IECEX; ATEX; CU-TR

Conformity to standards

EN 60079-0, EN 60079-1, EN 60079-31

IEC 60079-0, IEC 60079-1, IEC 60079-31

Enclosure material

Copper-free Aluminium Alloy, powder coated surface

Enclosure colour

Window grey (RAL7040)

Exposed fastener

Stainless steel

Rated voltage

Max. 690V AC

Rated current

50A, 60A, 63A

Number of pole

4P (3P+PE), 5P (3P+N+PE)

Degree of protection

IP66

Internal&external earthing

M6/M8

Ambient temperature

-60°C~+60°C

Cable entry of socket

2 x M40 x 1.5

Cable entry of plug

1 x M50 x 1.5

Cable gland (optional)

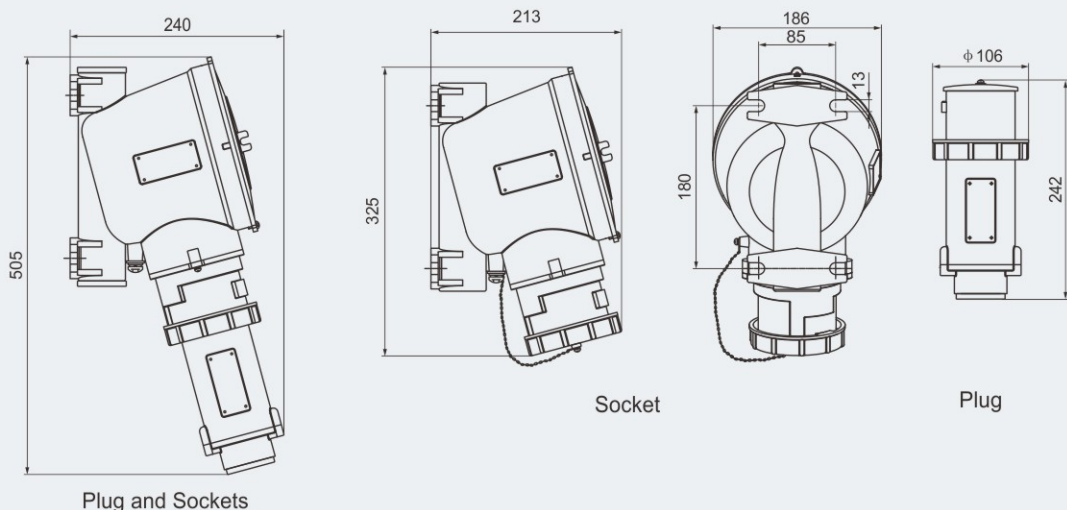
DQM-II (Ex d) or DQM-III (Ex d) is recommended. Please see P7/20~29.

Cross section of cable

10~16 mm²



Dimension drawings (all dimensions in mm) - subject to alteration



BCZ85-63/□/□

Plug and Sockets

BCZ85 Series Explosion-proof Plug and Sockets

Technical data

Explosion-proof plug and sockets BCZ85-125/□/□

Explosion protection

Global (IECEX)	IECEX CNEX 19.0020X
Gas and dust	Ex db IIC T6 Gb Ex tb IIIC T80°C Db IP66
Europe (ATEX)	CNEX 19 ATEX 0029X
Gas and dust	⊕ II 2 G Ex db IIC T6 Gb ⊕ II 2 D Ex tb IIIC T80°C Db IP66

Certificates

IECEX; ATEX; CU-TR

Conformity to standards

EN 60079-0, EN 60079-1, EN 60079-31
IEC 60079-0, IEC 60079-1, IEC 60079-31

Enclosure material

Copper-free Aluminium Alloy, powder coated surface

Enclosure colour

Window grey (RAL7040)

Exposed fastener

Stainless steel

Rated voltage

Max. 690V AC

Rated current

100A, 125A

Number of pole

4P (3P+PE), 5P (3P+N+PE)

Degree of protection

IP66

Internal&external earthing

M6/M8

Ambient temperature

-60°C~+58°C

Cable entry of socket

1 x M63 x 1.5

Cable entry of plug

1 x M50 x 1.5

Cable gland (optional)

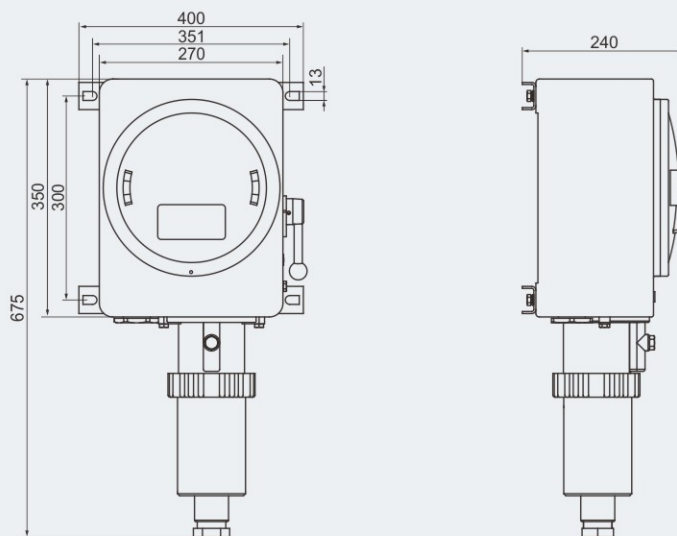
DQM-II (Ex d) or DQM-III (Ex d) is recommended. Please see P7/20~29.

Cross section of cable

25~35 mm²



Dimension drawings (all dimensions in mm) - subject to alteration



BCZ85-125/□/□