



LED POWER SUPPLY DATASHEET

SPE100-24VLP

DESCRIPTION

High Cost Performance, SELV. Open circuit, short circuit, overload and over temperature protection. Compliance to ERP directive, lifetime 30,000hrs.



-Input

Items	Conditions	Request	Note
Input voltage	Ta	AC200-277V	--
Input frequency		50/60Hz	--
Input current	25°C, rated input voltage, output with max. rated power	< 0.7A	--
Input power		< 120W	--
Efficiency		≥ 85%	--
Standby		25°C, rated input voltage, output without load	<0.50W
Inrush current	25°C, rated input voltage	<75A	peak
PF	25°C, rated input voltage, output max. rated power	≥ 0.9	--

-Temperature and others

Item	Conditions	Request	Note
Operation temp.	--	-40-60°C	--
Relative humidity	--	45%-85%	--
Max. case temp.	--	90°C	--
Lifetime	Max. Ta, rated input voltage, output with max. rated power	30,000hr	--
Working noise	25°C, rated input voltage, output with rated power, mute box background noise < 35dB, pickup 10cm distance from products	yes	--

-Protection

Items	Conditions	Request	Note
Open circuit	Ta, rated input voltage, no load	--	--
Over load	Ta, 0.94-1.06 times of input voltage, 1.5 times of rated power	yes	--
Short circuit	Ta, 0.94-1.06 times of input voltage	yes	--
Over temperature	Ta, 0.94-1.06 times of input voltage, temperature detected pointed more than 115 degree	yes	--
Over voltage	Ta, 0.94-1.06 times of input voltage, output voltage is 1.5 times of rated one	yes	--
Auto recovery	Over load, short circuit revocation	yes	--
Latch off	over heat re-start after cut off	yes	--

-Output

Items	Conditions	Request	Note
Startup time	25°C, rated input voltage, output with max. rated power	<0.5S	--
Output voltage and precision	Ta, rated input voltage, output with rated power	24V±5%	--
Output current range	Ta, rated input voltage	0-4.17A	
Output voltage wave	25°C, rated input voltage, output with max. rated power	250mV	Vp-p
Output overload	25°C, rated input voltage, output with 2 times LED load	yes	--
Output current and precision	Ta, rated input voltage, output with rated power	--	--
Rated output voltage range	Ta, rated input voltage,	--	--
Output current wave	25°C, rated input voltage, output with max. rated power	--	Ip-p
Dimming mode	--	--	--
Dimming range	--	--	--

-Mechanical, mounting

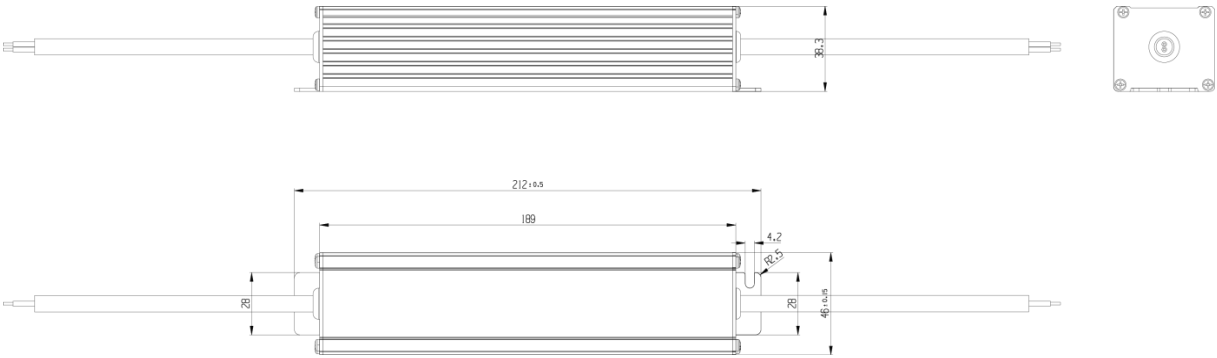
Items	Conditions
Case material and size	Alluminum
Mounting ways	Independent
Insulation type	Class I
IP grade	IP67
Input cables dimension	H05RN-F 1.0 aqmm
Output cables dimension	SJTW
Output cables length	350mm

-Standard

Items	Conditions
Safety	IEC61347-1、IEC61347-2-13
Harmonic	EN61000-3-2 Class C
EMI	EN55015
EMS	EN61000-4-2,3,4,5,6 EN61547



● **Dimensions(mm)**



● **Wiring Diagram**

