

**SNAPPY**

KNOW HOW. NO LIMITS.



LED POWER SUPPLY DATASHEET

SNP6-12VFP**DESCRIPTION**

IP44 LED drivers, helpful for bathroom and kitchen lighting, SELV. Open circuit, short circuit, overload and over temperature protection. Compliance to ERP directive, lifetime 30,000hrs.

**-Input**

Items	Conditions	Request	Note
Input voltage	Ta	200-240Vac	--
Input frequency		50/60Hz	--
Input current	25°C, rated input voltage, output with max. rated power	< 0.08A	--
Input power		< 10W	--
Efficiency		≥ 70%	--
Standby	25°C, rated input voltage, output without load	< 0.5W	average
Inrush current	25°C, rated input voltage	< 60A	peak
PF	25°C, rated input voltage, output max. rated power	≥ 0.5	--

-Temperate and others

Item	Conditions	Request	Note
Operation temp.	--	-20-45°C	--
Relative humidity	--	45%-85%	--
Max. case temp.	--	80°C	< 90°C
Lifetime	Max. Ta, rated input voltage, output with max. rated power	30,000hr	--
Working noise	25°C, rated input voltage, output with rated power, mute box background noise < 35dB, pickup 10cm distance from products	< 35dB	--

-Protection

Items	Conditions	Request	Note
Open circuit	Ta, rated input voltage, no load	--	--
Over load	Ta, 0.94-1.06 times of input voltage, 2.3 times of rated power	yes	--
Short circuit	Ta, 0.94-1.06 times of input voltage	yes	--
Over temperature	Ta, 0.94-1.06 times of input voltage, temperature detected pointed more than 115 degree	--	--
Over voltage	Ta, 0.94-1.06 times of input voltage, output voltage is 1.5 times of rated one	--	--
Auto recovery	Over load, short circuit revocation	yes	--
Latch off	Over heat re-start after cut off	--	--

-Output

Items	Conditions	Request	Note
Startup time	25°C, rated input voltage, output with max. rated power	< 2s	--
Output voltage and precision	Ta, rated input voltage, output with rated power	12V±0.5V	< 14V
Output current range	Ta, rated input voltage	0-0.5A	--
Output voltage wave	25°C, rated input voltage, output with max. rated power	< 240mV	Vp-p
Output overload	25°C, rated input voltage, output with 2 times LED load	yes	--
Output current and precision	Ta, rated input voltage, output with rated power	--	--
Rated output voltage range	Ta, rated input voltage,	--	--
Output current wave	25°C, rated input voltage, output with max. rated power	--	--
Dimming mode	--	--	--
Dimming range	--	--	--

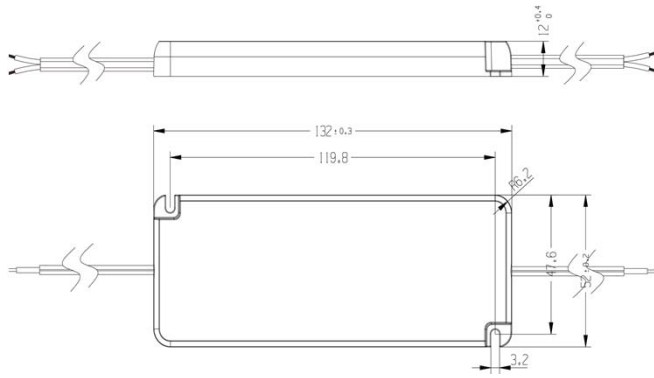
-Mechanical, mounting

Items	Conditions
Case material and size	Plastic 130mm*50mm*12.0mm
Mounting ways	Independent
Insulation type	Class II
IP grade	IP44
Input cables dimension	H03VVH2-F 2*0.75mm ²
Output cables dimension	H03VVH2-F 2*0.75mm ²
Output cables length	15cm

-Standard

Items	Conditions
Safety	IEC61347-1, IEC61347-2-13
Harmonic	IEC61000-3-2
EMI	IEC55015
EMS	IEC61547

Dimensions(mm)



Wiring Diagram

