

LED POWER SUPPLY DATASHEET

SNP12-24VLW

DESCRIPTION

High Cost Performance, the circuit design has short circuit, overload protection. Products meet the CLASS II requirements. Lifetime is over 30,000hrs.



Input

Items	Conditions	Request	Note
Input voltage range	Ta	180-264Vac	--
Input frequency		50Hz	--
Input current	25°C, rated input voltage, output with max. rated load	< 0.2A	--
Input power		< 15.5W	--
Efficiency		≥ 80%	--
Standby		25°C, rated input voltage, output without load	< 0.3W
Inrush current	25°C, rated input voltage	< 50A	peak
PF	25°C, rated input voltage, output with max. rated load	≥ 0.7	--

Output

Items	Conditions	Request	Note
Startup time	25°C, rated input voltage, output with max. rated load	< 2S	--
Rated output voltage and precision	Ta, rated input voltage, output with rated load	24V±5%	--
Output current range	Ta, rated input voltage	0-0.5A	--
Output voltage wave	25°C, rated input voltage, output with max. rated load	480mV	Vp-p
Output overload	25°C, rated input voltage, output with 2 times LED load	yes	--
Constant output current and precision	Ta, rated input voltage, output with rated load	--	--
Rated output voltage range	Ta, rated input voltage	--	--
Output current wave	25°C, rated input voltage, output with max. rated load	--	Ip-p
Dimming mode	--	--	--
Dimming range	--	--	--

Temperate and others

Items	Conditions	Request	Note
Operation temp.	--	-20-40°C	--
Relative humidity	--	45%-85%	--
Max. case temp.	--	75°C	< 90°C
Lifetime	Max. Ta, rated input voltage, output with max. rated load	30,000hr	--
Working noise	25°C, rated input voltage, output with rated load, static speakers background noise < 30dB, pick up head is 10cm far away from product	< 35dB	--

Mechanical, mounting

Items	Conditions
Case material and size	Plastic case L77.5*W58.2*H22.4mm
Mounting ways	Independent
Insulation type	Class II
IP grade	IP20
Input cables dimension	Europlug
Output cables dimension	01plug
Output cables length	2meter max

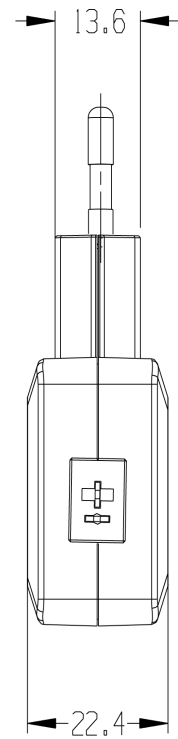
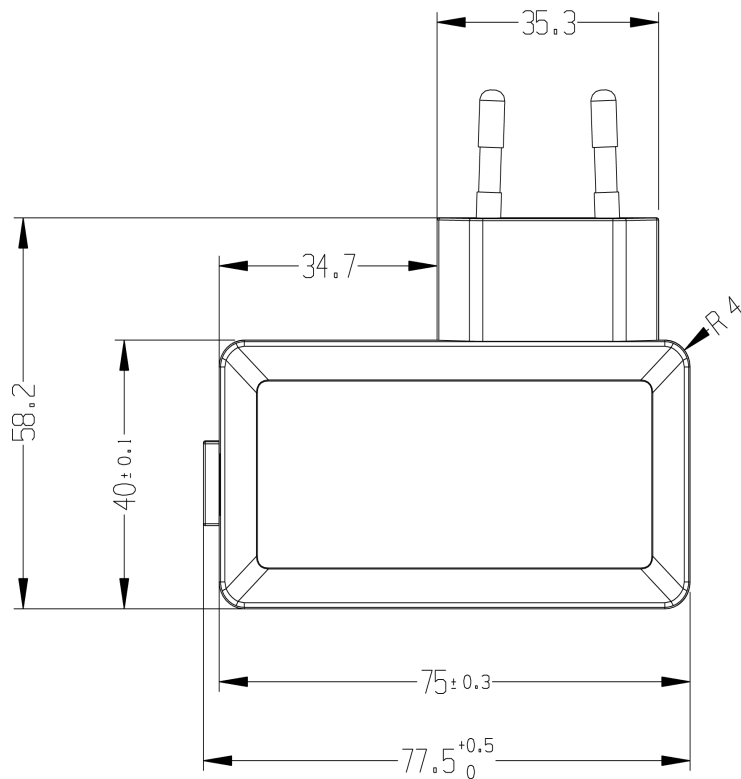
Protection

Items	Conditions	Request	Note
Open circuit	Ta, rated input voltage, output without load	--	--
Over load	Ta, 0.94-1.06 times of input voltage, 1.6 times of rated power	yes	--
Short circuit	Ta, 0.94-1.06 times of input voltage	yes	--
Over temperature	Ta, 0.94-1.06 times of input voltage, temperature detected pointed more than 115 degree	--	--
Over voltage	Ta, 0.94-1.06 times of input voltage, output voltage is 1.5 times of rated one	--	--
Auto recovery	After over load, short circuit protection revocation	yes	--
Latch off	Over heat protection re-start should after cut off	--	--

Standard

Items	Conditions
Safety	IEC61347-1, IEC61347-2-13
Harmonic	IEC61000-3-2
EMI	IEC55015
EMS	IEC61547

● **Dimensions(mm)**



● **Wiring Diagram**



PRI



LED POWER SUPPLY

SEC

