

# LED POWER SUPPLY DATASHEET

SNP12-12VLW

## DESCRIPTION

High Cost Performance,the circuit design has short circuit, overload protection.Products meet the CLASS II requirements. Lifetime is over 30,000hrs.



### Input

Items	Conditions	Request	Note
Input voltage range	Ta	180-264Vac	--
Input frequency		50Hz	--
Input current	25°C,rated input voltage, output with max. rated load	< 0.2A	--
Input power		< 15.5W	--
Efficiency		≥ 78%	--
Standby		25°C,rated input voltage, output without load	<0.3W
Inrush current	25°C,rated input voltage	<50A	peak
PF	25°C,rated input voltage, output with max. rated load	≥0.7	--

### Temperate and others

Items	Conditions	Request	Note
Operation temp.	--	-20-40°C	--
Relative humidity	--	45%-85%	--
Max. case temp.	--	75°C	<90°C
Lifetime	Max.Ta,rated input voltage,output with max.rated load	30,000hr	--
Working noise	25°C,rated input voltage,output with rated load,static speakers background noise<30dB, pick up head is 10cm far away from product	<35dB	--

### Protection

Items	Conditions	Request	Note
Open circuit	Ta, rated input voltage, output without load	--	--
Over load	Ta ,0.94-1.06 times of input voltage, 1.6 times of rated power	yes	--
Short circuit	Ta ,0.94-1.06 times of input voltage	yes	--
Over temperature	Ta ,0.94-1.06 times of input voltage, temperature detected pointed more than 115 degree	--	--
Over voltage	Ta ,0.94-1.06 times of input voltage,output voltage is 1.5 times of rated one	--	--
Auto recovery	After over load, short circuit protection revocation	yes	--
Latch off	Over heat protection re-start should after cut off	--	--

### Output

Items	Conditions	Request	Note
Startup time	25°C, rated input voltage,output with max. rated load	<2S	--
Rated output voltage and precision	Ta , rated input voltage, output with rated load	12V±5%	--
Output current range	Ta ,rated input voltage	0-1A	--
Output voltage wave	25°C, rated input voltage,output with max. rated load	240mV	Vp-p
Output overload	25°C,rated input voltage,output with 2 times LED load	yes	--
Constant output current and precision	Ta , rated input voltage, output with rated load	--	--
Rated output voltage range	Ta , rated input voltage	--	--
Output current wave	25°C, rated input voltage,output with max. rated load	--	Ip-p
Dimming mode	--	--	--
Dimming range	--	--	--

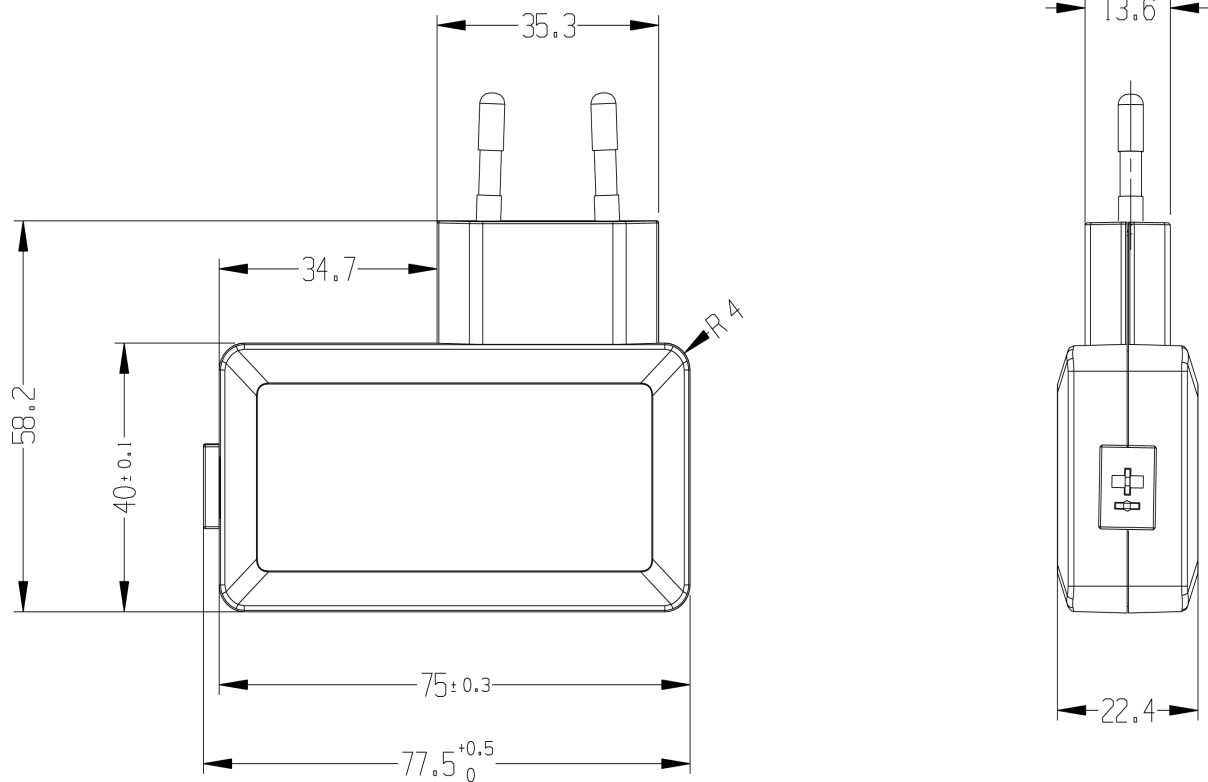
### Mechanical, mounting

Items	Conditions
Case material and size	Plastic case L77.5*W58.2*H22.4mm
Mounting ways	Independent
Insulation type	Class II
IP grade	IP20
Input cables dimension	Europlug
Output cables dimension	01plug
Output cables length	2meter max

### Standard

Items	Conditions
Safety	IEC61347-1,IEC61347-2-13
Harmonic	IEC61000-3-2
EMI	IEC55015
EMS	IEC61547

● **Dimensions(mm)**



● **Wiring Diagram**





