



# LED POWER SUPPLY DATASHEET

SP15-350ILT

**DESCRIPTION**

High Cost Performance, SELV. short circuit, overload and over temperature protection. Compliance to ERP directive, lifetime 30,000hrs.



**-Input**

Items	Conditions	Request	Note
Input voltage	Ta	198-264Vac	--
Input frequency		50Hz/60Hz	--
Input current	25°C, rated input voltage, output with max. rated power	< 0.15A	--
Input power		< 19.5W	--
Efficiency		≥ 75%	--
Standby		25°C, rated input voltage, output without load	< 1W
Inrush current	25°C, rated input voltage	< 60A	peak
PF	25°C, rated input voltage, output max. rated power	≥ 0.9	--

**-Temperature and others**

Item	Conditions	Request	Note
Operation temp.	--	-20-40°C	--
Relative humidity	--	45%-85%	--
Max. case temp.	--	85°C	< 90°C
Lifetime	Max.Ta, rated input voltage, output with max. rated power	30,000hr	--
Working noise	25°C, rated input voltage, output with rated power, mute box background noise < 35dB, pickup 10cm distance from products	yes	--

**-Protection**

Items	Conditions	Request	Note
Open circuit	Ta, rated input voltage, no load	--	--
Over load	Ta, 0.94-1.06 times of input voltage, 1.4 times of rated power	yes	--
Short circuit	Ta, 0.94-1.06 times of input voltage	yes	--
Over temperature	Ta, 0.94-1.06 times of input voltage, temperature detected pointed more than 115 degree	--	--
Over voltage	Ta, 0.94-1.06 times of input voltage, output voltage is 1.5 times of rated one	--	--
Auto recovery	Over load, short circuit revocation	yes	--
Latch off	Over voltage, over heat re-start after cut off	--	--

**-Output**

Items	Conditions	Request	Note
Startup time	25°C, rated input voltage, output with max. rated power	< 0.5S	--
Output voltage and precision	Ta, rated input voltage, output with rated power	--	--
Output current range	Ta, rated input voltage	--	--
Output voltage wave	25°C, rated input voltage, output with max. rated power	--	Vp-p
Output overload	25°C, rated input voltage, output with 2 times LED load	Yes	--
Output current and precision	Ta, rated input voltage, output with rated power	350mA ±10%	--
Rated output voltage range	Ta, rated input voltage	21.5-42.5V	--
Output current wave	25°C, rated input voltage, output with max. rated power	< 40mA	Ip-p
Dimming mode	--	triac	--
Dimming range	--	15-90%	--

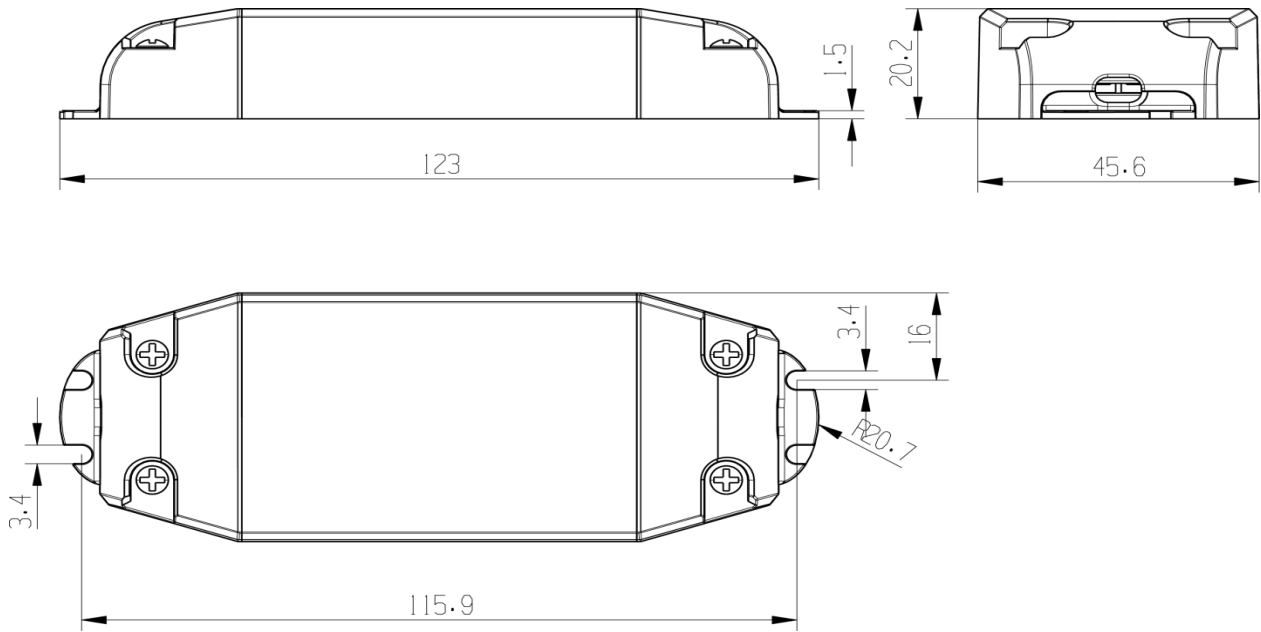
**-Mechanical, mounting**

Items	Conditions
Case material and size	Plastic, 123x44.6x19.2mm
Mounting ways	Independent
Insulation type	Class II
IP grade	IP20
Input cables dimension	terminal block H03VVH2-F 2x0.75mm2
Output cables dimension	terminal block H03VVH2-F 2x0.75mm2
Output cables length	

**-Standard**

Items	Conditions
Safety	IEC61347-1, IEC61347-2-13
Harmonic	EN61000-3-2
EMI	EN55015
EMS	IEC61547

● Dimensions(mm)



● Wiring Diagram

