

ANDELI

ANDELI GROUP CO.,LTD.

Add: No.208,Weiqi Road,Yueqing Economic Development Zone,
Yueqing,Zhejiang,China

Tel: 0086-577-6273 1666

Fax: 0086-577-6273 1777

E-mail: andeli@andeligroup.com

[Http://www.andeligroup.com](http://www.andeligroup.com)



ANDELI



AC AUTOMATIC VOLTAGE REGULATOR

ANDELI GROUP CO.,LTD.



Brief Introduction

www.andeligroup.com

Andeli Group is a professional manufacturer with electrical as its core industry, integrating research and development, production, sales, and service. The company has been awarded multiple honors, including Top 10 Growth Enterprises in China's Electrical Industry, National Customer Satisfaction Enterprise, National High tech Enterprise, National Ministry of Industry and Information Technology Green Factory, National Specialized and Innovative Small Giant Enterprise, and National Ministry of Industry and Information Technology Green Supply Chain Management Enterprise.

Andeli Group adheres to the mission of providing customers with satisfactory power products and solutions. We mainly research and develop complete sets of transmission and distribution equipment, power transformers, high and low voltage electrical components, instruments and meters, welding equipment, new energy and other series. The product is widely used in many fields such as State Grid, Southern Power Grid, Inner Mongolia Power Grid and rail transit, commercial housing, energy and chemical industry, metal smelting, and power management. Andeli actively implements a globalization strategy and has established branch offices in the United Arab Emirates, Russia, Brazil, Pakistan, Thailand, Saudi Arabia, and other places. Its products are exported to more than 100 countries and regions around the world.

Andeli people, who uphold the principles of honesty and diligence in their work, sincerely work hand in hand with elites from all walks of life to create a better future together.

SVC Automatic Voltage Stabilizer

1. Application

SVC automatic voltage stabilizer consists of contact voltage regulator, sampling control circuit and servomotor as well. It has excellent features, such as small waveform distortion, high efficiency, high power factor, free from the effect or frequency variation of supply. It can be widely used in most situations where the voltage stabilization is required.

2. Specification

Input voltage	110V-250V or 150V-250V
Output voltage	220V±3%, 110V±3%
Frequency	50Hz/60Hz
Response time	1sec. (against 10% input voltage deviation)
Efficiency	>90%
Ambient temperature	-10°C~±40°C
Relative humidity	<90%
Waveform distortion	Non-lack fidelity waveform
Power factor cosφ	0.8
Insulation resistance	>5MΩ

3. Outline and Packing Information

Type	Outline(cm)			Weight(kg)	Qty/CTN
	L	W	H		
SVC-500VA	18.5	15	12.5	17	4PCS
SVC-1000VA	21	18	14.5	20	4PCS
SVC-1500VA	21	18	14.5	25	4PCS
SVC-2000VA	27.5	23.5	18.5	7.8	1PC
SVC-3000VA	29	23	22	9.8	1PC
SVC-5000VA	45	24	18.5	14	1PC
SVC-7500VA	47	26	22	19.5	1PC
SVC-5000VA	28	30	46	19	1PC (Cabinet)
SVC-7500VA	34	30	50	25	1PC (Cabinet)
SVC-10000VA	44	32	56	31	1PC (Cabinet)
SVC-15000VA	43	36	56	41	1PC (Cabinet)
SVC-20000VA	47	40	78	79	1PC (Cabinet)
SVC-30000VA	47	40	78	99.5	1PC (Cabinet)



SVC-500VA



SVC-1500VA



SVC-3000VA



SVC-10000VA



SVC-5000VA



SVC-10000VA



SVC-30000VA

SVC(LED) Automatic Voltage Stabilizer

1. Application

SVC(LCD) automatic voltage stabilizer consists of contact voltage regulator, sampling control circuit and servomotor as well. It has excellent features, such as small waveform distortion, high efficiency, high power factor, free from the effect or frequency variation of supply. It can be widely used in most situations where the voltage stabilization is required.



SVC-D2000VA



SVC-D3000VA



SVC-D5000VA



SVC-D10000VA

2. Specification

Input voltage	110V-250V or 150V-250V
Output voltage	220V±3%, 110V±3%
Frequency	50H/60Hz
Response time	<1sec. (against 10% input voltage deviation)
Efficiency	>90%
Ambient temperature	-10°C ~±40°C
Relative humidity	<90%
Waveform distortion	Non-lack fidelity waveform
Power factor cosφ	0.8
Insulation resistance	>5MΩ

3. Outline and Packing Information

Type	Outline(cm)			Weight(kg)	Qty/CTN
	L	W	H		
SVC-D500VA	18.5	15	12.5	17	4PCS
SVC-D1000VA	21	18	14.5	20	4PCS
SVC-D1500VA	21	18	14.5	25	4PCS
SVC-D2000VA	27.5	23.5	18.5	7.8	1PC
SVC-D3000VA	29	23	22	9.8	1PC
SVC-D5000VA	45	24	18.5	14	1PC
SVC-D7500VA	47	26	22	19.5	1PC
SVC-D10000VA	47	26	22	24.5	1PC
SVC-D5000VA	28	30	46	19	1PC (Cabinet)
SVC-D7500VA	34	30	50	25	1PC (Cabinet)
SVC-D10000VA	44	32	56	31	1PC (Cabinet)
SVC-D15000VA	43	36	56	41	1PC (Cabinet)
SVC-D20000VA	47	40	78	79	1PC (Cabinet)
SVC-D30000VA	47	40	78	99.5	1PC (Cabinet)



SVC-D20000VA



SVC-D30000VA

SVC(LED)-B Automatic Voltage Stabilizer

1. Application

SVC(LED)-B automatic voltage stabilizer consists of contact voltage regulator, sampling-control circuit and servomotor as well. It has excellent features, such as small waveform distortion, high efficiency, high power factor, free from the effect or frequency variation of supply. It can be widely used in most situations where the voltage stabilization is required.



SVC-B3000VA



SVC-B5000VA



SVC-B10000VA

2. Specification

Input voltage	110V-250V or 150V-250V
Output voltage	220V±3%, 110V±3%
Frequency	50H/60Hz
Response time	<1sec. (against 10% input voltage deviation)
Efficiency	>90%
Ambient temperature	-10°C ~±40°C
Relative humidity	<90%
Waveform distortion	Non-lack fidelity waveform
Power factor cosφ	0.8
Insulation resistance	>5MΩ

3. Outline and Packing Information

Type	Outline(cm)			Weight(kg)	Qty/CTN
	L	W	H		
SVC-B500VA	18.5	15	12.5	17	4PCS
SVC-B1000VA	21	18	14.5	20	4PCS
SVC-B1500VA	21	18	14.5	25	4PCS
SVC-B2000VA	27.5	23.5	18.5	7.8	1PC
SVC-B3000VA	29	23	22	9.8	1PC
SVC-B5000VA	45	24	18.5	14	1PC
SVC-B7500VA	47	26	22	19.5	1PC
SVC-B10000VA	47	26	22	24.5	1PC
SVC-B5000VA	28	30	46	19	1PC (Cabinet)
SVC-B7500VA	34	30	50	25	1PC (Cabinet)
SVC-B10000VA	44	32	56	31	1PC (Cabinet)
SVC-B15000VA	43	36	56	41	1PC (Cabinet)
SVC-B20000VA	47	40	78	79	1PC (Cabinet)
SVC-B30000VA	47	40	78	99.5	1PC (Cabinet)

SVC(Three) Automatic Voltage Stabilizer

1. Application

SVC automatic regulator voltage consists of contact voltage regulator, sampling control circuit and servomotor as well. It has excellent features, such as small waveform distortion, high efficiency, high power factor, free from the effect or frequency variation of supply. It can be widely used in most situations where the voltage stabilization is required.

2. Specification

Input voltage	190V-430V or 280V-430V
Output voltage	380V±3%
Phase	Three phase
Frequency	50Hz/60Hz
Response	<1 sec. (against 10% input voltage deviation)
Efficiency	Better than 90%
Ambient temperature	-10°C~+40°C
Relative humidity	Less than 90%
Waveform	Non-lack fidelity waveform
Insulation resistance	>5MΩ



SVC-6000VA-3



SVC-9000VA-3

3. Outline and Packing Information

Type	Outline(cm)			Qty/CTN
	L	W	H	
SVC-1500VA-3	48.5	22.5	17	1PCS
SVC-3000VA-3	48.5	22.5	17	1PCS
SVC-4500VA-3	48.5	22.5	17	1PCS
SVC-6000VA-3	39	31.5	77	1PCS
SVC-9000VA-3	43.5	36	77	1PCS
SVC-15000VA-3	48	36	70	1PCS
SVC-20000VA-3	51.5	40.5	85	1PCS
SVC-30000VA-3	59	46	109	1PCS
SVC-40000VA-3	64.5	52.5	109	1PCS
SVC-50000VA-3	64.5	52.5	109	1PCS
SVC-60000VA-3	64.5	52.5	109	1PCS
SVC-75000VA-3	67	56.5	130	1PCS
SVC-100000VA-3	67	56.5	130	1PCS



SVC-15000VA-3



SVC-30000VA-3



SVC-40000VA-3

SVC(LED)(Three) Automatic Voltage Stabilizer

1. Application

SVC(LCD)(Three) automatic regulator voltage consists of contact voltage regulator, sampling control circuit and servomotor as well. It has excellent features, such as small waveform distortion, high efficiency, high power factor, free from the effect or frequency variation of supply. It can be widely used in most situations where the voltage stabilization is required.



SVC-D6000VA-3

2. Specification

Input voltage	190V-430V or 280V-430V
Output voltage	380V±3%
Phase	Three phase
Frequency	50Hz/60Hz
Response	<1 sec. (against 10% input voltage deviation)
Efficiency	Better than 90%
Ambient temperature	-10°C~+40°C
Relative humidity	Less than 90%
Waveform	Non-lack fidelity waveform
Insulation resistance	>5MΩ



SVC-D9000VA-3

3. Outline and Packing Information

Type	Outline(cm)			Qty/CTN
	L	W	H	
SVC-D1500VA-3	48.5	22.5	17	1PCS
SVC-D3000VA-3	48.5	22.5	17	1PCS
SVC-D4500VA-3	48.5	22.5	17	1PCS
SVC-D6000VA-3	39	31.5	77	1PCS
SVC-D9000VA-3	43.5	36	77	1PCS
SVC-D15000VA-3	48	36	70	1PCS
SVC-D20000VA-3	51.5	40.5	85	1PCS
SVC-D30000VA-3	59	46	109	1PCS
SVC-D40000VA-3	64.5	52.5	109	1PCS
SVC-D50000VA-3	64.5	52.5	109	1PCS
SVC-D60000VA-3	64.5	52.5	109	1PCS
SVC-D75000VA-3	67	56.5	130	1PCS



SVC-D15000VA-3



SVC-D30000VA-3



SVC-D75000VA-3

SVC(LED)-B (Three) Automatic Voltage Stabilizer

1. Application

SVC(LCD)(Three) automatic regulator voltage consists of contact voltage regulator, sampling control circuit and servomotor as well. It has excellent features, such as small waveform distortion, high efficiency, high power factor, free from the effect or frequency variation of supply. It can be widely used in most situations where the voltage stabilization is required.



SVC-B10000VA-3

2. Specification

Input voltage	190V-430V or 280V-430V
Output voltage	380V±3%
Phase	Three phase
Frequency	50Hz/60Hz
Response	<1 sec. (against 10% input voltage deviation)
Efficiency	Better than 90%
Ambient temperature	-10°C~+40°C
Relative humidity	Less than 90%
Waveform	Non-lack fidelity waveform
Insulation resistance	>5MΩ



SVC-B30000VA-3

3. Outline and Packing Information

Type	Outline(cm)			Qty/CTN
	L	W	H	
SVC-B1500VA-3	48.5	22.5	17	1PCS
SVC-B3000VA-3	48.5	22.5	17	1PCS
SVC-B4500VA-3	48.5	22.5	17	1PCS
SVC-B6000VA-3	39	31.5	77	1PCS
SVC-B10000VA-3	43.5	36	77	1PCS
SVC-B15000VA-3	48	36	70	1PCS
SVC-B20000VA-3	51.5	40.5	85	1PCS
SVC-B30000VA-3	59	46	109	1PCS
SVC-B40000VA-3	64.5	52.5	109	1PCS
SVC-B50000VA-3	64.5	52.5	109	1PCS
SVC-B60000VA-3	64.5	52.5	109	1PCS
SVC-B75000VA-3	67	56.5	130	1PCS

SVR Series Fully Automatic Voltage Regulator



SVR-1000VA



SVR-1500VA



SVR-3000VA



SVR-5000VA



SVR-10000VA

1. Application

SVR Series voltage regulators have advanced equipment, abundant technology, reliable quality and distinguished credit, AVR, AR series are designed at JB3717-84 request. These products conform to fully automatic control of integrated circuit. They are of quick speed, good reliable of sensitive action, convenient use and assure the stable result. They are suitable for families, schools, enterprises, hotels and diets etc., where need a stable civil power. They can make the illumination lamp, TV set, refrigerator, air-conditioner, computer and copy machine etc. work at a normal condition and have a long using time.

2. Technical Specification

Frequency	Regulating Time	Temperature Rise	Withstand Voltage	Low Voltage Protection	Over Voltage Protection
50-60Hz	Less Than 0.5	<60°C	Accord With Ministry Issued Standard	Output 160V	Output 260V

Model	Range	Input Civil Power Voltage(V)	Output Precision of Stabling Voltage
500VA To 5000VA	Current	160-260	220V±3%
	Over-Low Voltage	130-260	220V±8%
	Special Over-Low Voltage	115-265	220V±10%
	High Precision of Stabling Voltage	160-265	220V±5%

SDW Series Wall Mount Automatic Voltage Regulator

1. SDW series

Wall Mount Servo Motor Automatic Voltage Regulator

- Input Range: 150V-250V, 110V-250V
- Over voltage & Under voltage protection
- Over temperature protection
- Reaction time (voltage stabilization time) < 1 sec
- Short delay (3~6s)



SDW-2000VA



SDW-7500VA



SDW-15000VA

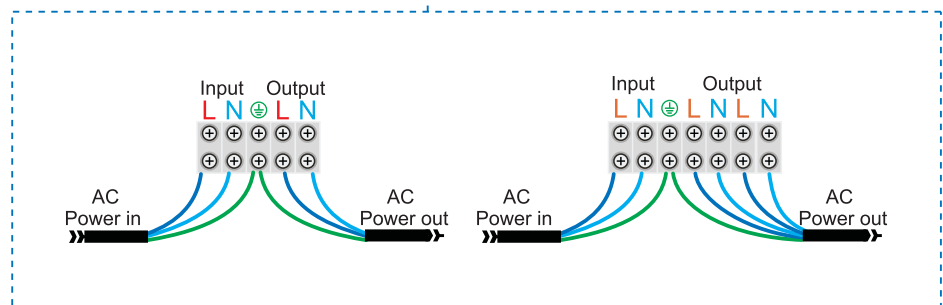
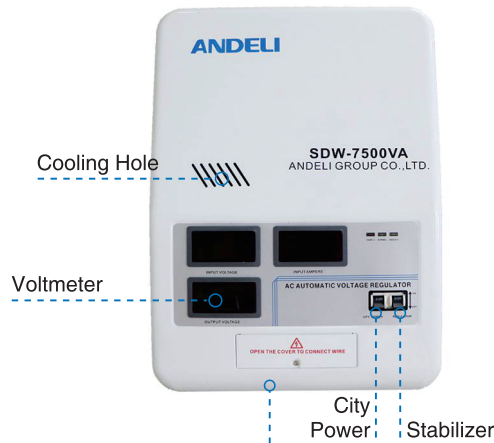
2. Product Description

SDW Single Phase AC Stabilizer

SDW series servo type AC voltage stabilizer, which is an improved design of SVC series products, which comes with superior quality, enhanced functions and modern design. It is capable of being mounted on wall, saving space significantly.

It mainly features in a modern design and various protections against, over-voltage, under-voltage, overload, over temperature and time delay, enjoying a great popularity for residential, hospital, commercial applications etc.

3. Product Dominance



4. Technical Parameter

Specification		500VA	1000VA	1500VA	2000VA	3000VA
Input	Phase	Single phase				
	Voltage	AC 150V-250V/70V-150V				
	Frequency	50Hz / 60Hz				
Output	Voltage	220V/230V/240V±3% or 110V/120V/130V±3%(Optional)				
	Capacity	400W	800W	1200W	1600W	2400W
	Frequency	50Hz 60Hz				
Protection	Low voltage	NO				AC 184V±4V
	Over voltage	NO				AC 246±4V
	Time Delay	NO				3-6 sec
	Overload/ short circuit	YES				
Packaging	Pcs per Carton	4				1
	Shipping Wt.(Kg)	19.9	21.1	22.8	27.7	10.8
	Packing dimensions(mm)	460x335x360	460x335x360	460x335x360	460x335x360	460x340x230
Efficiency	AC-AC	> 95%				
Acoustic	Noise level	≤50dB				
Environment	Temperature	-5°C to 40°C				
	Humidity	20% to 90%				

Specification		5000VA	7500VA	10000VA	15000VA
Input	Phase	Single phase			
	Voltage	AC 150V-250V/110V-250V			
	Frequency	50Hz/60Hz			
Output	Voltage	220V±3% or 110v±3%(Optional)			
	Capacity	4000W	6000W	8000W	12000W
	Frequency	50Hz / 60Hz			
Protection	Low voltage	AC 184V±4V			
	Over voltage	AC 246±4V			
	Time Delay	3-6 sec			
	Overload/ short circuit	YES			
Packaging	Pcs per Carton	1			
	Shipping Wt.(Kg)	14.7	17.0	24.8	27.8
	Packing dimensions(mm)	460x335x230	460x335x230	495x365x240	495x365x240
Efficiency	AC-AC	> 95%			
Acoustic	Noise level	≤50dB			
Environment	Temperature	-5°C to 40°C			
	Humidity	20% to 90%			

AVR Series Electronic Voltage Product Features

The product is 220V automatic relay regulator, using LED digital display design, novel appearance, stable voltage, fast voltage regulator speed, wide voltage regulator range.

Application

Widely used in all walks of life small office equipment and refrigerators, electric fans, air conditioning, TV and other household appliances.

Specification



AVR-500VA

MODEL	AVR-500VA
INPUTVOLTAGE	AC160-260V
OUTPUTVOLTAGE	AC220V±10%50Hz
DELAYTIME	3s/180s
PROTECTION	HighandLowPressureProtection, High TemperatureProtection, WithUSBPort
POWER	500VA
PRODUCTSIZE(CM)	11*15.5*23
PACKINGSIZE(CM)	49.2*31*36.5
PCS/CARTON	8
N.W.(KGS)	22
G.W.(KGS)	24



AVR-2000VA

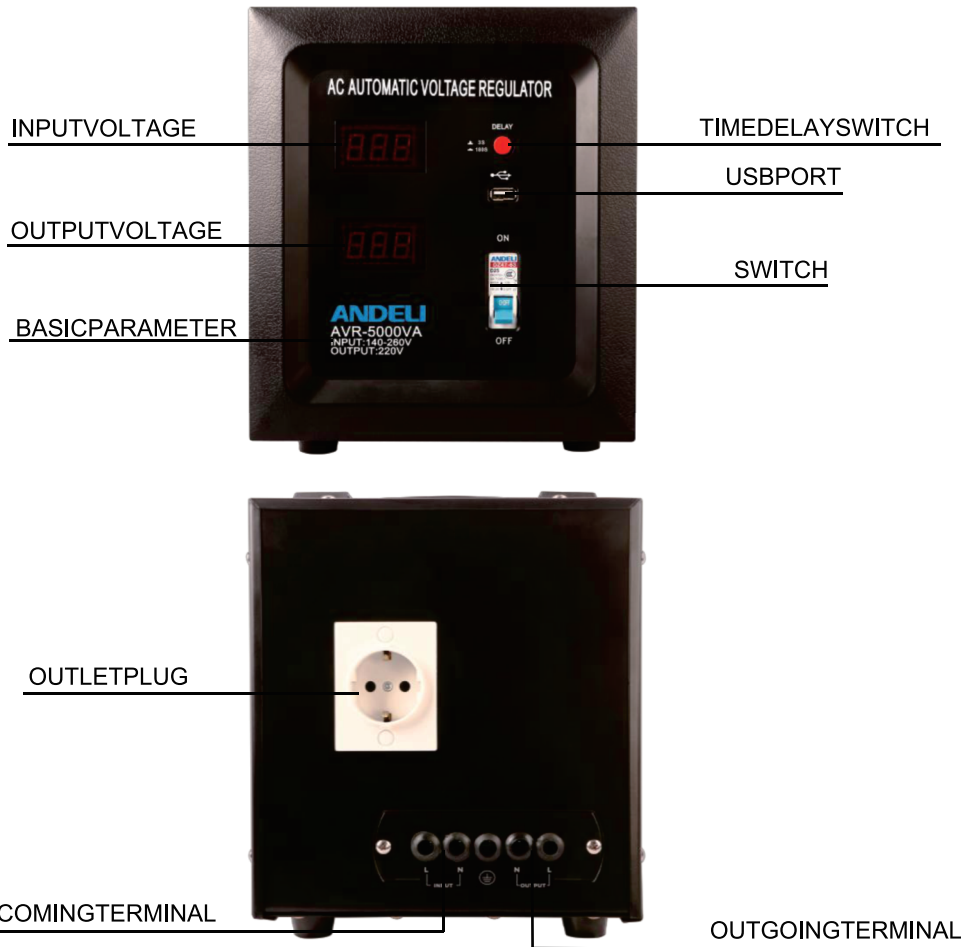
MODEL	AVR-1000	AVR-1500	AVR-2000
INPUTVOLTAGE	AC100-260V		
OUTPUTVOLTAGE	AC220V±10% 50Hz		
DELAYTIME	3s/180s		
PROTECTION	HighandLowPressureProtection, HighTemperatureProtection, WithUSBPort		
POWER	1000VA	1500VA	2000VA
PRODUCTSIZE(CM)	19*15.2*29.5		
PACKINGSIZE(CM)	64*31*21		
PCS/CARTON	4		
N.W.(KGS)	18	20	24
G.W.(KGS)	20	22	26



AVR5000VA

MODEL	AVR-3000	AVR-5000
INPUTVOLTAGE	AC140-260V	
OUTPUTVOLTAGE	AC220±10%50Hz	
DELAYTIME	3s/180s	
PROTECTION	HighandLowPressureProtection, HighTemperatureProtection, WithUSBPort	
POWER	3000VA	5000VA
PRODUCTSIZE(CM)	29*25.5*41.2	
PACKINGSIZE(CM)	42.5*26.8*31	
PCS/CARTON	1	
N.W.(KGS)	11	15
G.W.(KGS)	12.5	16.5

FUNCTIONICON



ICEBOX



FAN



AIRCONDITIONER



AIRCOMPRESSOR



ELECTRICCOOKER



MICROWAVEOVEN

AVRW Series Wall-Mounted Electronic Product Features

The product is 220V automatic relay regulator, using LED digital display design, novel appearance, stable voltage, fast voltage regulator speed, wide voltage regulator range, using wall-mounted installation.

Application

Widely used in all walks of life: small office equipment and refrigerators, electric fans, air conditioning, TV and other household appliances.

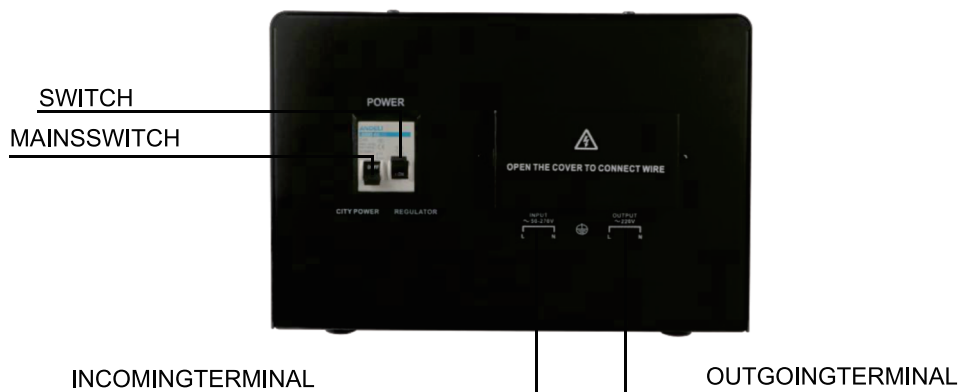
Specification

MODEL	AVRW-10000VA	AVRW-15000VA	AVRW-20000VA
INPUT VOLTAGE	AC45-280V		
OUTPUT VOLTAGE	AC220±10%		
DELAY TIME	5s/180s		
PROTECTION	Over Voltage, Over Current, High Temperature Protection		
POWER	10000VA	15000VA	20000VA
PRODUCT SIZE (CM)	46.0*30.2*24.0		48.0*32.2*26.0
PACKING SIZE (CM)	49.7*35.7*29.0		51.7*37.7*31.0
PCS/CARTON	1		
N.W.(KGS)	23.0	24.8	31.8
G.W.(KGS)	24.2	26.0	33.3



AVR-15000VA

FUNCTION ICON



ICEBOX



FAN



AIRCONDITIONER



AIRCOMPRESSOR



ELECTRICCOOKER



MICROWAVEOVEN

AVR Series Electroinc Voltage

Product Features

The product is 220V automatic relay regulator, using LCD digital display design, novel appearance, stable voltage, fast voltage regulator speed, wide voltage regulator range.

Appliction

Widely used in all walks of life small office equipment and refrigerators, electric fans, air conditioning, TV and other household appliances.



AVR-500VA

Products Specification

MODEL	AVR-500-III
INPUT VOLTAGE	AC130-270V
OUTPUT VOLTAGE	AC220V±10% 50 Hz
DELAY TIME	3s/180s
PROTECTION	High and Low Pressure Protection, High Temperature Protection
POWER	500VA
PRODUCT SIZE(CM)	21*18*11.5
PACKING SIZE(CM)	
PCS/CARTON	4
N.W.(KGS)	10
G.W.(KGS)	12

MODEL	AVR-1000-III	AVR-1500-III	AVR-2000-III
INPUT VOLTAGE	AC100-260V		
OUTPUT VOLTAGE	AC220V±10% 50 Hz		
DELAY TIME	3s/180s		
PROTECTION	High and Low Pressure Protection, High Temperature Protection		
POWER	1000VA	1500VA	2000VA
PRODUCT SIZE(CM)	35.5*25*16		
PACKING SIZE(CM)			
PCS/CARTON	4		
N.W.(KGS)	10.5	11	11.5
G.W.(KGS)	12.5	13	13.5



AVR-3000VA

MODEL	AVR-3000 -III	AVR-5000 -III
INPUT VOLTAGE	AC130-270V	
OUTPUT VOLTAGE	AC220±10% 50Hz	
DELAY TIME	3s/180s	
PROTECTION	High and Low Pressure Protection, High Temperature Protection	
POWER	50Hz	
PRODUCT SIZE(CM)	37.5*24.5*21.5	
PACKING SIZE(CM)		
PCS/CARTON	1	
N.W.(KGS)	8.3	8.8
G.W.(KGS)	9.5	10

Function Icon



ICEBOX



FAN



AIR CONDITIONER



AIR COMPRESSOR



ELECTRIC COOKER



MICROWAVE OVEN



AVR-15000VA

AVR Series Wall-Mounted Electronic Product Features

The product is 220V automatic relay regulator, using LCD digital display design, novel appearance, stable voltage, fast voltage regulator speed, wide voltage regulator range, using wall-mounted installation.

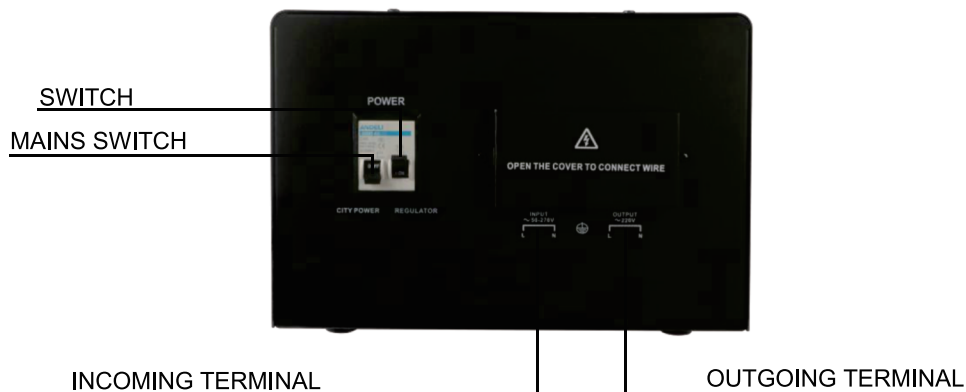
Application

Widely used in all walks of life small office equipment and refrigerators, electric fans, air conditioning, TV and other household appliances.

Products Specification

MODEL	AVR -10000 -III	AVR -15000 -III
INPUT VOLTAGE	AC130-270V	
OUTPUT VOLTAGE	AC220 ± 10%	
DELAY TIME	5s/180s	
PROTECTION	Over Voltage, Over Current, High Temperature Protection	
POWER	10000VA	15000VA
PRODUCT SIZE(CM)	46.5*30.5*24	
PACKING SIZE(CM)		
PCS/CARTON	1	
N.W.(KGS)	20.5	22.5
G.W.(KGS)	22.5	24

Function Icon



ICEBOX



FAN



AIR CONDITIONER



AIR COMPRESSOR



ELECTRIC COOKER



MICROWAVE OVEN

DBW SBW Compensated Voltage Stabilizer

1. Application

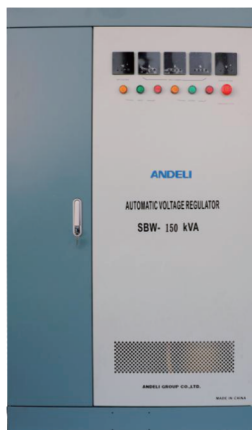
DBW SBW compensated voltage stabilizer is a contact adjustable automatic voltage compensation high-power regulating power device. When voltage from supply network is varied or due to loading current effect, it automatically regulates the output voltage to ensure the normal function of the varied of electric equipments.

2. Specification

Input voltage	Single phase: 220V±20% or 220V±30% Three phases four-line: 380V±20% or 380V±30%
Output voltage	Single phase: 220V±2%; Three phases: 380V±2%
Phase	Single phase; Three phases four-line
Frequency	50Hz/60Hz
Response	within 1 sec.(against 10% input voltage deviation)
Efficiency	Better than 95%
Ambient temperature	-10°C~+40°C
Waveform	Non-lack fidelity waveform
Insulation restoration	Better than 5MΩ
Overload	Double rated current, one min
Protection	Overvoltage, overcurrent, feed phases



SBW -100KVA



SBW-150KVA



SBW-300KVA

3. Outline and Packing

Type	Outpower(kVA)	Outline(cm)	Weight(Kg)	Cabinet
DBW-20kVA	20	70 x 50 x 135	283	1
DBW-30kVA	30	70 x 50 x 135	310	1
DBW-40kVA	40	70 x 50 x 135	330	1
DBW-50kVA	50	80 x 60 x 150	360	1
DBW-60kVA	60	80 x 60 x 150	380	1
DBW-70kVA	70	80 x 60 x 150	100	1
DBW-80kVA	80	90 x 70 x 170	430	1
DBW-100kVA	100	90 x 70 x 170	480	1
SBW-50kVA	50	80 x 62 x 135	350	1
SBW-60kVA	60	80 x 62 x 135	370	1
SBW-100kVA	110	85 x 52 x 150	420	1
SBW-150kVA	150	100 x 72 x 170	550	1
SBW-180kVA	180	100 x 72 x 170	570	1
SBW-200kVA	200	100 x 72 x 170	630	1
SBW-225kVA	225	110 x 80 x 180	660	1
SBW-250kVA	250	110 x 80 x 200	700	1
SBW-300kVA	300	110 x 80 x 210	740	1
SBW-320kVA	320	110 x 80 x 210	760	1
SBW-400kVA	400	110 x 80 x 210/2	1100	2
SBW-500kVA	500	110 x 80 x 210/2	1500	2
SBW-600kVA	600	110 x 80 x 210/2	2200	2
SBW-800kVA	800	85 x 100 x 220/3	2800	3
SBW-1000kVA	1000	85 x 100 x 220/3	3500	3
SBW-1200kVA	1200	85 x 100 x 220/3	4100	3
SBW-1600kVA	1600	110 x 110 x 220/3	5560	3
SBW-2000kVA	2000	110 x 110 x 220/3	7100	3

JJW SJW A.C. Precision Purity Regulated Power Supply



JJW-1000VA



JJW-2000VA



JJW-3000VA

1. JJW SJW A.C. Precision Purity Regulated Power Supply Feature

A.C. Precision purity regulated power supply is our new, high characteristic electronic A.C. regulated equipment as KUPA doctor's theory, combining Asymmetrical Digital Subscriber Loop colander net, which integrates multi-functions such as purity regulation and anti-disturbance. They are of wide range in regulation, fast speed in response, high precision in regulation etc., to refrain all kinds of noise from power net and disturbance from peak. They are your first choice among of A.C. regulated power supply at present, which are 614 series electronic A.C. regulated power supply and ideal substitution regulated power supply.

It often happens that the electrical equipment are damaged because of lack of power. The experts of power point out most 80% malfunctions of computer are caused by A.C. power supply directly or indirectly. So as to ensure the safe operation of electrical equipment, the power supply must be improved. Our products fulfill the requirements in such places for his spurious characteristic. Our products are suitable for the following fields: science department, university, corporation, hospital, broadcasting station, communication equipment, traffic system, test equipment and all automatic production equipment.

2. JJW/2 A.C. Intelligence Percision Purity Regulated Power Supply Feature

JJW/2 A.C. intelligence precision purity regulated power supply is new high characteristic electronic A.C. regulated power supply, which is one of advanced characteristic A.C. regulated power supply at present, and widely suitable for high precision electrical equipment and general electrical power equipment. In America, the products have been used into military and aviation etc. A.C. intelligence precision purity regulated power supply adopt advanced technology, integration purity, regulation, anti-disturbance and automatic protection etc. With the advantages such as wide range in regulation, fast speed in response, high precision, anti-disturbance, low distortion, strong capacity in anti-load impact, long life, low noise and so on.

3. Capability index

Range of output voltage

Single phase:170-270V Three phases:310-450V

Range of input regulation: Single phase:185-250V, output:220±5%

Three phases:330-450V, output:380±0.5%

Input frequency:50Hz±5%

Alarm value of output voltage

Single phase:output higher than 242V or lower than 198V

Three phases:output higher than 418V or lower than 342V

Value of protection of over voltage(output loop cut down)

Single phase:output voltage more than 247V

Three phases:output voltage more than 427V

Value of protection of short voltage(output loop cut down)

Single phase:output lower than 193V

Value of protection of over current:1.2 times larger than rated current

Response time of instant voltage change: advantage over two weeks of power

Signle pulse restraint of instant high power

Single phase input 3000V, while 75us single pulse, the remained output voltage <30V

Output wave distortion:<3%

Working ambient temperature:-100C±400C

Waste power:≤1.5%